



# Remote Booster Power Supply Technical Reference Manual

**Copyright**

© 2012 UTC Fire & Security. All rights reserved.

**Trademarks and patents**

The Remote Booster Power Supply name and logo are trademarks of UTC Fire & Security.

Other trade names used in this document may be trademarks or registered trademarks of the manufacturers or vendors of the respective products.

**Manufacturer**

Edwards, A Division of UTC Fire & Security Americas Corporation, Inc.  
8985 Town Center Parkway, Bradenton, FL 34202, USA

**Certification**



**FCC compliance**

**Class A:** This equipment has been tested and found to comply with the limits for a Class A digital device, pursuant to part 15 of the FCC Rules. These limits are designed to provide reasonable protection against harmful interference when the equipment is operated in a commercial environment. This equipment generates, uses, and can radiate radio frequency energy and, if not installed and used in accordance with the instruction manual, may cause harmful interference to radio communications. Operation of this equipment in a residential area is likely to cause harmful interference in which case the user will be required to correct the interference at his own expense.

**FDNY**

NYC Fire Department Certificate of Approval: MEA 476-91-E XIII

**European Union directives**

**1999/5/EC (R&TTE directive):** Hereby, UTC Fire & Security declares that this device is in compliance with the essential requirements and other relevant provisions of Directive 1999/5/EC.



**2002/96/EC (WEEE directive):** Products marked with this symbol cannot be disposed of as unsorted municipal waste in the European Union. For proper recycling, return this product to your local supplier upon the purchase of equivalent new equipment, or dispose of it at designated collection points. For more information see: [www.recyclethis.info](http://www.recyclethis.info).



**2006/66/EC (battery directive):** This product contains a battery that cannot be disposed of as unsorted municipal waste in the European Union. See the product documentation for specific battery information. The battery is marked with this symbol, which may include lettering to indicate cadmium (Cd), lead (Pb), or mercury (Hg). For proper recycling, return the battery to your supplier or to a designated collection point. For more information see: [www.recyclethis.info](http://www.recyclethis.info).

**Contact information**

For contact information, see [www.utcfireandsecurity.com](http://www.utcfireandsecurity.com).

# Content

<b>Important information</b>	<b>iii</b>
Limitation of liability	iii
Remote Booster Power Supply FCC compliance	iv
<b>Introduction</b>	<b>1</b>
Models covered	1
Compatibility	1
<b>Installation procedure checklist</b>	<b>2</b>
<b>Getting started</b>	<b>3</b>
Description	3
Component descriptions	4
Specifications	5
LED indicators	6
<b>Installing the enclosure</b>	<b>7</b>
<b>Installing option modules in the enclosure</b>	<b>8</b>
<b>Installing the circuit board in the enclosure</b>	<b>10</b>
<b>Setting the jumpers</b>	<b>12</b>
NAC Class A or Class B (JP1 and JP2)	12
Ground fault enable (JP3)	12
Battery charging (JP4)	13
<b>UL 864 programming requirements</b>	<b>14</b>
<b>Setting the DIP switches</b>	<b>15</b>
Sense 1 and 2 operation (SW1-1 to 3)	15
Synchronization control (SW1-4)	16
NAC circuit operation (SW1-5 to 8 and SW2-1 to 4)	17
Genesis mode for continuous NACs (SW2-5)	19
AC power loss reporting (SW2-6)	19
Auxiliary control during AC power loss (SW2-7)	19
Class A or B NAC configuration (SW2-8)	20

## **Wire routing 21**

### **Connecting the field wiring 22**

AC power wiring 22

Battery wiring 22

NAC Class B wiring 24

NAC Class A wiring 25

Sense circuit wiring 26

AUX power wiring 26

Common trouble relay wiring 27

### **NAC wiring using CC1(S) modules 29**

### **Installing the 3-TAMP tamper switch 34**

### **Battery calculation worksheet 35**

### **Notification appliance circuit calculations 37**

Introduction 37

What you'll need 37

Worksheet method 39

Equation method 40

### **Understanding BPS synchronization 43**

Connection of booster power supplies 43

Synchronization of visible outputs 44

Synchronization of visible and audible outputs 44

### **Applications 46**

Key 46

Genesis circuit notification 47

Conventional visible and audible circuit notification 48

Conventional visible and audible circuit to Genesis notification 49

Conventional audible or visible circuit to Genesis notification 50

Genesis visible circuit and conventional audible circuit to Genesis notification 51

Conventional split mode circuit with fault tolerance notification 52

Genesis split mode circuit with fault tolerance notification 53

CDR-3 Coder to Genesis notification 54

CDR-3 Coder to conventional notification 55

CDR-3 Coder to Genesis visibles and conventional audibles 56

Access control power supply 57

# Important information

## Limitation of liability

To the maximum extent permitted by applicable law, in no event will UTCFS be liable for any lost profits or business opportunities, loss of use, business interruption, loss of data, or any other indirect, special, incidental, or consequential damages under any theory of liability, whether based in contract, tort, negligence, product liability, or otherwise. Because some jurisdictions do not allow the exclusion or limitation of liability for consequential or incidental damages the preceding limitation may not apply to you. In any event the total liability of UTCFS shall not exceed the purchase price of the product. The foregoing limitation will apply to the maximum extent permitted by applicable law, regardless of whether UTCFS has been advised of the possibility of such damages and regardless of whether any remedy fails of its essential purpose.

Installation in accordance with this manual, applicable codes, and the instructions of the authority having jurisdiction is mandatory.

While every precaution has been taken during the preparation of this manual to ensure the accuracy of its contents, UTCFS assumes no responsibility for errors or omissions.

## Advisory messages

Advisory messages alert you to conditions or practices that can cause unwanted results. The advisory messages used in this document are shown and described below.

---

**WARNING:** Warning messages advise you of hazards that could result in injury or loss of life. They tell you which actions to take or to avoid in order to prevent the injury or loss of life.

---

---

**Caution:** Caution messages advise you of possible equipment damage. They tell you which actions to take or to avoid in order to prevent the damage.

---

**Note:** Note messages advise you of the possible loss of time or effort. They describe how to avoid the loss. Notes are also used to point out important information that you should read.

## **Remote Booster Power Supply FCC compliance**

This equipment can generate and radiate radio frequency energy. If the equipment is not installed in accordance with this manual, it may cause interference to radio communications. This equipment has been tested and found to comply with the limits for Class A computing devices pursuant to Subpart B of Part 15 of the FCC Rules. These rules are designed to provide reasonable protection against such interference when this equipment is operated in a commercial environment. Operation of this equipment is likely to cause interference, in which case the user, at his own expense, will be required to take whatever measures may be required to correct the interference.

# Introduction

This installation manual is intended for use by installers and field technicians. It provides the installation procedures, wiring diagrams, DIP switch settings, etc. required to install and set up the Remote Booster Power Supply (BPS).

## Models covered

The following table lists the booster power supply models that are covered in this manual.

Catalog number	Description
BPS6A	6.5 A booster power supply
BPS6A/230	6.5 A booster power supply
BPS6AC	6.5 A booster power supply
MIRBPS6A	6.5 A booster power supply
MIRBPS6A/230	6.5 A booster power supply
XLS-BPS6A	6.5 A booster power supply
XLS-BPS6A/230	6.5 A booster power supply
EBPS6A	6.5 A booster power supply
EBPS6A/230	6.5 A booster power supply
BPS10A	10 A booster power supply
BPS10A/230	10 A booster power supply
BPS10AC	10 A booster power supply
MIRBPS10A	10 A booster power supply
MIRBPS10A/230	10 A booster power supply
XLS-BPS10A	10 A booster power supply
XLS-BPS10A/230	10 A booster power supply
EBPS10A	10 A booster power supply
EBPS10A/230	10 A booster power supply

## Compatibility

The input circuits of the booster power supply can be connected to 12 VDC or 24 VDC systems.

For details about device compatibility, refer to the *Remote Booster Power Supply Compatibility List* (P/N 3100656).

# Installation procedure checklist

Follow these steps to install and set up the booster power supply (BPS).

- Verify that all power and field wiring are de-energized before proceeding.
- Unpack the equipment.
- Review the “Getting started” section.
- Review the applications: Review the applications to determine how you want to use the BPS. See the “Applications” section.
- Prepare the site: Make sure the installation location is free from construction dust and debris and extreme temperature ranges and humidity.
- Install the enclosure: See “Installing the enclosure” for enclosure dimensions.
- Install option modules if required: See “Installing option modules in the enclosure.”
- Install the 3-TAMP tamper switch (if one is used): See “Installing the 3-TAMP tamper switch.”
- Set the jumpers: See “Setting the jumpers.”
- Set the DIP switch options: See “Setting the DIP switches.”
- Review wire routing: See “Wire routing.”
- Check field wiring for shorts, opens, and grounds.
- Connect the field wiring: See “Connecting the field wiring.”
- Turn on the AC mains power.
- Connect the battery compliment.
- Verify that no defaults are displayed.
- Test the system for proper operation.



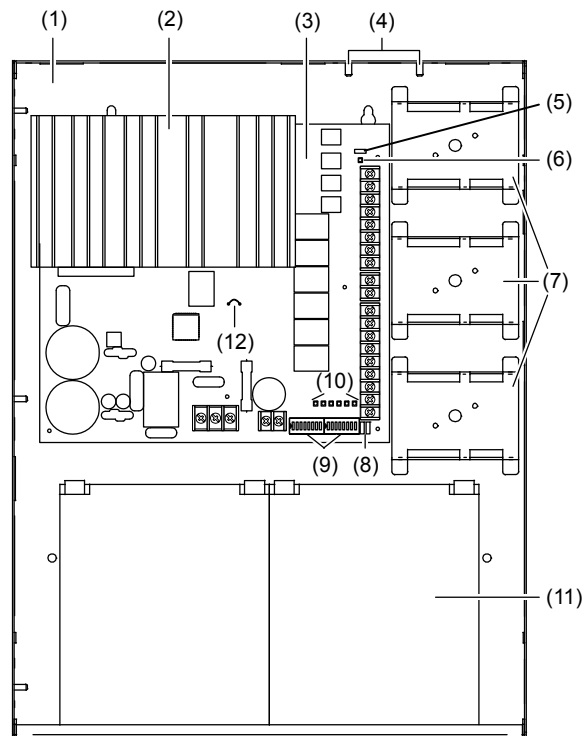
# Getting started

## Description

The 6.5 A and 10 A booster power supplies are designed to extend the power capacity of an emergency communication, life safety, fire alarm, security, or access control system. You can activate the BPS from options modules or from a control circuit. It has four independent NAC/AUX circuits that are supervised, when configured for NAC. It is also equipped with a fault relay that you can configure for common trouble (with immediate AC failure indication), or as an AC mains failure indication relay (with delayed output). The BPS's sense input #1 also provides a common fault indicator by opening the output side of the sense circuit.

# Component descriptions

Figure 1: Components



- (1) Enclosure: Houses the electronics and two standby batteries
- (2) Heat sink: Distributes heat away from the circuit board
- (3) Circuit board: Provides connections for all circuits
- (4) Tamper switch standoffs: 3-TAMP mounting standoffs
- (5) Jumper JP3: Ground fault enable or disable option
- (6) AC LED: AC power on
- (7) Mounting brackets: Option module mounting brackets
- (8) Jumpers JP1 and JP2: Class A or Class B NAC option
- (9) DIP switches: Two eight-position DIP switches used for configuration
- (10) Circuit LEDs: NAC, battery, and ground fault trouble LEDs
- (11) Batteries: Up to two 10 Ah batteries fit in the enclosure. For larger batteries, use an external battery cabinet (BC-1 or BC-2).
- (12) Jumper JP4: Battery charging jumper

# Specifications

The following specifications apply to all BPS models.

AC line voltage	
6.5 A BPS	120 VAC / 230 VAC (50/60 Hz), 390 W
10 A BPS	120 VAC / 230 VAC (50/60 Hz), 580 W
Sense voltage (input)	6 to 45 VDC (FWR and unfiltered DC)
Sense current (input)	6 mA at 24 VDC, 3 mA at 12 VDC, 12 mA at 45 VDC
NAC output voltage (special application circuit)	19.1 to 26.40 VDC <b>Note:</b> All NACs are supervised. Refer to the <i>Remote Booster Power Supply Compatibility List</i> P/N 3100656 for the maximum number of devices that can be used on a NAC circuit.
AUX output voltage (special application circuit)	19.0 to 26.48 VDC
NAC/AUX output current	3.0 A max. per circuit with 0.35 power factor (6.5 A or 10 A max. total for all NACs) (6 A or 8 A max. total for all AUXs)
NAC/AUX capacitive loading	10,000 $\mu$ F max. for continuous NAC circuits 2,200 $\mu$ F max. for coded rate NAC circuits 2,200 $\mu$ F max. for AUX circuits
NAC/AUX class	Class A or Class B
Wire size	18 to 12 AWG (0.75 to 2.5 mm <sup>2</sup> )
NAC EOL	UL: 15 k $\Omega$ (P/N EOL-15) ULC: Use P/N EOL-P1 and select the 15 k $\Omega$ resistor
Auxiliary output (continuous)	1 dedicated unsupervised, unswitched 200 mA auxiliary output Voltage range: 19.49 to 26.85 VDC
Common trouble relay	Form C, 1 A, 30 VDC (resistive)
Battery capacities	6.5 to 24 Ah for ECS/MNS/LSS applications 6.5 to 24 Ah for Security/Access Control applications 10 Ah maximum in BPS enclosure applications
Battery charger current limit [1]	1.2 A when the battery jumper wire is cut 2.1 A when the battery jumper wire is <i>not</i> cut
Operating environment	
Operating temperature	32 to 120°F (0 to 49°C)
Relative humidity	0 to 93% noncondensing
Ground fault impedance	10 k $\Omega$
Intended installation environment	Indoor-dry

[1] The battery charger is disabled automatically and will not charge the batteries when the unit is activated via either of its *sense* inputs.

## LED indicators

The BPS has seven LED indicators. See “Component descriptions” for the location of the LEDs.

**Table 1: LED indicators**

LED	Color	Description
AC	Green	AC power on.
NAC1	Yellow	NAC1/AUX1 trouble [1].
NAC2	Yellow	NAC2/AUX2 trouble [1].
NAC3	Yellow	NAC3/AUX3 trouble [1].
NAC4	Yellow	NAC4/AUX4 trouble [1].
BAT	Yellow	Battery trouble. Indicates that the battery level has fallen below acceptable levels.
GND	Yellow	Ground fault. Indicates that a ground fault has been detected on the field wiring.

[1] The NAC LEDs indicate a trouble with the load or external wiring on the NAC/AUX circuit. For circuits configured as NACs, this could be an open circuit trouble, short circuit trouble, or an overload trouble.

For short circuit troubles, the NAC does not activate until the short circuit condition is removed.

For overload troubles, an active NAC is shutdown. After shutdown, if there is no short circuit condition, the NAC reactivates after 30 seconds and checks to see if the overload condition still exists.

For AUX circuits, the trouble indicates an overload condition. The AUX circuit is shutdown for 30 seconds and then is reactivated to see if the overload condition still exists.

### Trouble indicating and reporting

When the BPS trouble relay is not dedicated to AC power loss reporting (DIP switch SW2-6 OFF), the trouble conditions listed in the table above are reported through the trouble relay. Other internal troubles that do not have an associated LED are also reported via the BPS trouble relay. Other internal troubles include: DIP switch read trouble, RAM failure, code checksum failure, A to D failure, and battery charger failure.

All troubles are also reported through both sense circuit trouble relays.

# Installing the enclosure

When installing this system, be sure to follow all applicable national and local codes and standards.

The enclosure can be surface mounted or semiflush mounted. See “Enclosure dimensions” below for details.

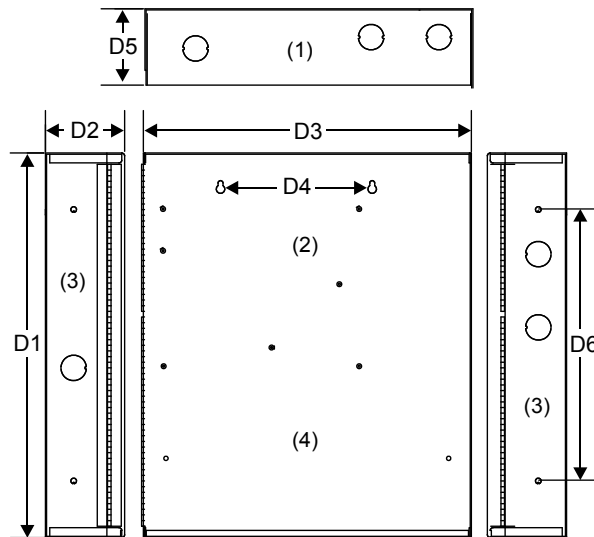
## To surface mount the enclosure:

1. Position the enclosure on the finished wall surface.
2. Fasten the enclosure to the wall surface where indicated.
3. Install all conduits and pull all wiring into the enclosure before proceeding.

## To semiflush mount the enclosure:

1. Frame the interior wall as required so that it supports the full weight of the enclosure and standby batteries.
2. Fasten the enclosure to the framing studs where indicated.
3. Install all conduits and pull all wiring into the enclosure before proceeding.

Figure 2: Enclosure dimensions



- (1) Top view  
(2) Front view

- (3) Side view  
(4) All knockouts are a combination  
0.5 in. (1.27 cm) and 0.75 in. (1.9 cm)

D1	D2	D3	D4	D5	D6
17.0 in (43.2 cm)	3.5 in (8.9 cm)	13.0 in (33.0 cm)	6.5 in (16.5 cm)	3.375 in (8.6 cm)	12.0 in (30.4 cm)

# Installing option modules in the enclosure

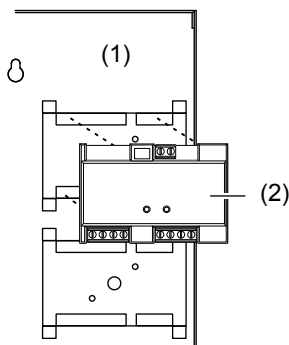
Up to three option modules can be installed on the mounting brackets inside the enclosure. Depending on the model, the device must be either screw-mounted or snap-mounted to the bracket.

## To snap-mount modules on a bracket:

1. Snap the module into a mounting bracket.
2. Connect all wiring. Refer to the module's installation sheet for wiring information or to the *Signature Series Component Installation Manual* (P/N 270497).

**Note:** Route the wiring around the perimeter of the enclosure, not across the circuit board.

**Figure 3: Mounting brackets with an option module**



- (1) Mounting brackets  
(2) Option module

## To screw-mount Signature Series modules on a bracket:

1. Remove the module's plastic cover.
2. Remove the circuit board from the plastic backing.
3. Screw the plastic backing to the mounting bracket using two #6, 1/4 flat head sheet metal screws. See Figure 4 on page 9.

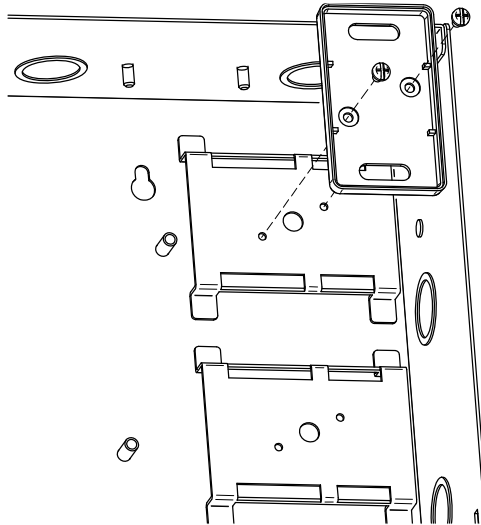
**Note:** For mounting MN-NETRLY4 modules, refer to the *MN-NETRLY4 Network Relay Module Installation Sheet*, P/N 310-1827-ML.

4. Insert the circuit board into the plastic backing.
5. Snap the module's plastic cover into place.
6. Connect all wiring. Refer to the module's installation sheet for wiring information or to the *Signature Series Component Installation Manual* (P/N 270497).

**Note:** Route the wiring around the perimeter of the enclosure, not across the circuit board.

**Figure 4: Inserting the circuit board**

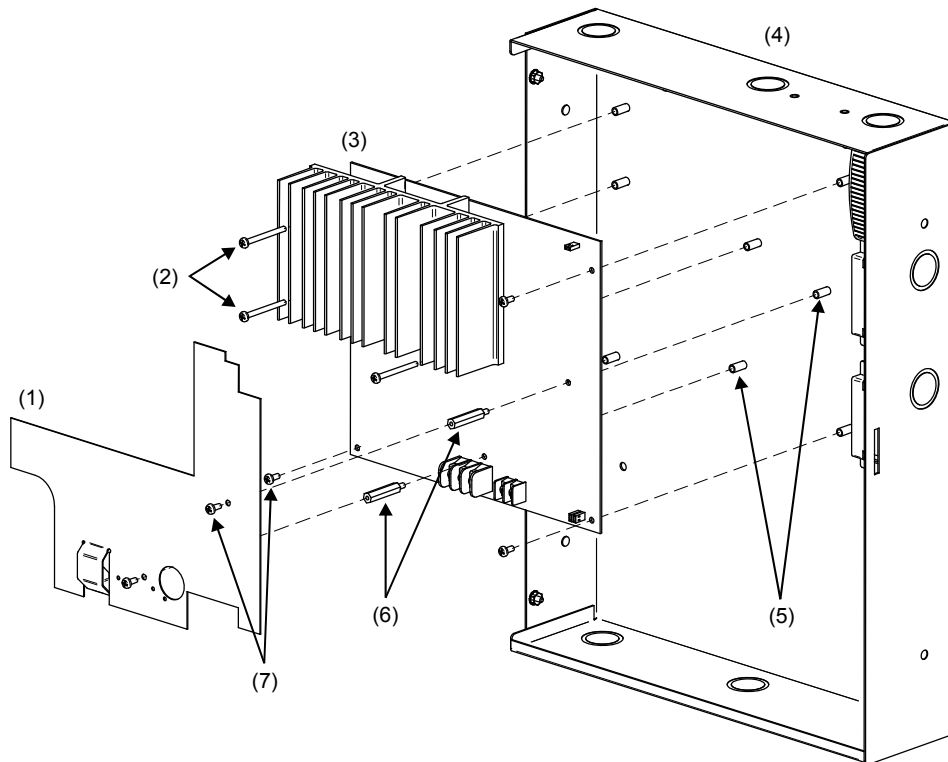
---



# Installing the circuit board in the enclosure

You may have to remove the circuit board to install the enclosure. Reinstalling the circuit board in the enclosure must be done with accuracy to avoid causing ground faults or shorts. The screws and standoffs must be installed correctly and in the right positions. Use the diagrams below to install the circuit board.

**Figure 5: Complete circuit board installation**

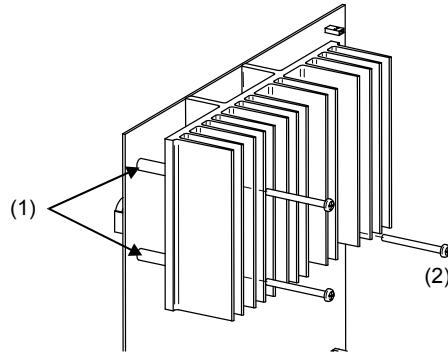


- (1) Cover ("C" models, only)
- (2) Long screws
- (3) Circuit board
- (4) Enclosure
- (5) Enclosure standoffs
- (6) Barrel spacers, see Figure 6 on page 11
- (7) Short screws



**Figure 6: Barrel spacer installation**

---



- (1) Barrel spacers
- (2) Long screws

**Note:** The barrel spacers must be positioned correctly so that the long screw can pass through the spacer and into the enclosure standoff.

# Setting the jumpers

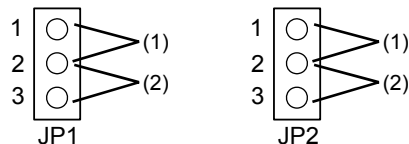
There are four jumpers on the BPS. See Figure 1 on page 4 for the location of the jumpers.

## NAC Class A or Class B (JP1 and JP2)

JP1 and JP2 are used to select a Class A or Class B NAC wiring configuration for all NACs. The default is Class B.

**Note:** JP1 and JP2 must be positioned to match the SW2-8 DIP switch selection (Class A or Class B).

Figure 7: JP1 and JP2



- (1) Class A
- (2) Class B

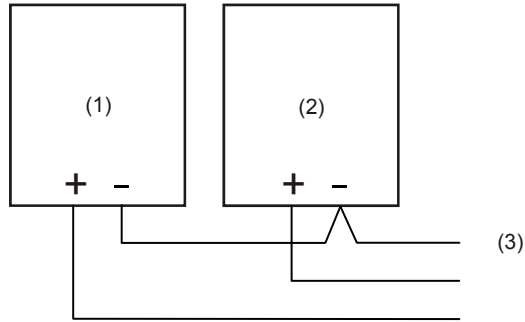
## Ground fault enable (JP3)

JP3 is used to set the NAC/AUX circuits for ground fault enabled or disabled operation. The sense inputs are always isolated from local power.

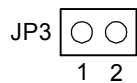
**Enabled:** Allows the BPS to perform its own ground fault checking. This is the *default* position.

**Disabled:** Disable the BPS's ground fault detection only when the controlling panel is providing ground fault detection for the BPS output circuits. See Figure 8 on page 13 for wiring information.

**Figure 8: Ground fault enable**



- (1) Control panel. The control panel is responsible for ground fault detection when the BPS is wired in this fashion.
- (2) BPS. Disable the BPS's ground fault jumper (JP3).
- (3) To next BPS that requires ground fault detection from the control panel.



GF disable: *Do not* install jumper

GF enable: Install jumper

## Battery charging (JP4)

The battery charging jumper is a small wire that controls how the batteries are charged. Battery size determines whether you must cut the jumper wire or leave it intact.



*Cut* the jumper wire when using batteries *under 10 Ah*.

*Do not cut* the jumper wire when using batteries *10 Ah or over*.

# UL 864 programming requirements

---

## NOTICE TO USERS, INSTALLERS, AUTHORITIES HAVING JURISDICTION, AND OTHER INVOLVED PARTIES

---

This product incorporates field-programmable options. In order for the product to comply with the requirements in the Standard for Control Units and Accessories for Fire Alarm Systems, UL 864, certain programming features or options must be limited to specific values or not used at all as indicated below. Some options were permitted under the previous versions of UL 864 and are provided to allow for service replacements on those systems.

<b>Programmable feature or option</b>	<b>Permitted in UL 864? (Y/N)</b>	<b>Possible settings</b>	<b>Settings permitted in UL 864</b>
Four second NAC audible synchronization delay [1]	N	On (4 second delay) Off (1 second delay)	Off
AC power delay	Y	On (3 hour, no dedicated AC failure contact) Off (no delay)	On

---

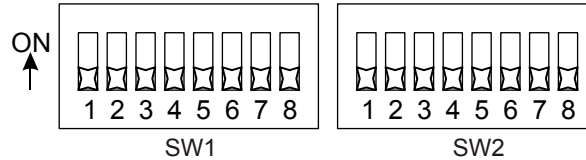
[1] This option is controlled by switch SW1-4. See “Synchronization control (SW1-4)” on page 16.

# Setting the DIP switches

Two eight-position DIP switches are used to configure the BPS. The following sections show the DIP switch settings for the various input and output configurations.

**Note:** As shipped from the factory, all switches are in the OFF position.

Figure 9: Switch settings



## Sense 1 and 2 operation (SW1-1 to 3)

The BPS has three operating modes, as shown in the following table. Switches SW1-1, -2, and -3 determine which mode is used.

Table 2: Switch settings

Operating mode [1]	SW1-1	SW1-2	SW1-3
Correlate mode	OFF	–	–
Genesis Master mode	ON	OFF	ON
Nondelayed mode	ON	ON	–

[1] See the descriptions below for operation details

These switches also determine how Sense 1 and 2 correlate to the NAC circuits. Details for each mode are described below.

### Correlate mode

In correlate mode, switches SW1-2 and SW1-3 control which NACs activate when the sense circuits activate. The correlations do not affect output circuits that are operating as AUX circuits.

The following table details which NACs activate when the sense circuits activate.

**Table 3: Sense circuit to NAC correlations**

Switch settings		Class B		Class A	
SW1-2	SW1-3	Sense 1	Sense 2	Sense 1	Sense 2
OFF	OFF	1, 2, 3, 4	1, 2, 3, 4	1/2, 3/4	1/2, 3/4
OFF	ON	1	2, 3, 4	1/2	3/4
ON	OFF	1, 2	3, 4	–	–
ON	ON	1, 2, 3	4	–	–

### Genesis Master mode

In Genesis Master mode, Sense 1 is connected to a visible zone and Sense 2 is connected to an audible zone. All NACs are activated when Sense 1 activates. Continuous NACs generate Genesis audible on/off signals based on the Sense 2 input circuit.

### Nondelayed mode

Nondelayed mode is intended to support coders. In this mode, there is no delay between activation of the sense input and activation of the NAC.

In nondelayed mode, switch SW1-3 controls which NACs activate when the sense circuits activate. The correlations do not affect output circuits that are operating as AUX circuits.

The following table details which NACs activate when the sense circuits activate.

**Table 4: Sense circuit to NAC correlations**

SW1-3 setting	Class B		Class A	
SW1-3	Sense 1	Sense 2	Sense 1	Sense 2
OFF	1, 2, 3, 4	1, 2, 3, 4	1/2, 3/4	1/2, 3/4
ON	1, 2	3, 4	1/2	3/4

In nondelayed mode, SW2-5 can be used to generate sync pulses for NACs configured in continuous mode. This supports applications that include Genesis strobes and conventional audibles. For this operation, the NACs for the audible signals must be configured in sense follow mode. There is no delay for either the visibles or the audibles.

## Synchronization control (SW1-4)

Switch SW1-4 controls the synchronization of signals with either one- or four-second delay times. See the topic “Understanding BPS synchronization” for more information.

**Note:** When using nondelayed mode, this switch is inactive.

**Table 5: Switch settings (SW1-4)**

Switch setting	Operation description
ON	NACs turn on 4 seconds after the sense input is activated (e.g. Genesis NACs sync with the second round of the temporal signal)
OFF	NACs turn on 1 second after the sense input is activated (e.g. the Genesis NACs sync with the second flash of the Genesis strobes)

## NAC circuit operation (SW1-5 to 8 and SW2-1 to 4)

Switch SW1-5 to 8 and SW2-1 to 4 control NAC operation.

**Table 6: Switch settings (SW1-5 to 8 and SW2-1 to 4)**

Operating mode	NAC1		NAC2		NAC3		NAC4	
	SW1-5	SW1-6	SW1-7	SW1-8	SW2-1	SW2-2	SW2-3	SW2-4
Sense Follow [1]	OFF	OFF	OFF	OFF	OFF	OFF	OFF	OFF
Continuous [1]	OFF	ON	OFF	ON	OFF	ON	OFF	ON
Temporal [1] [2]	ON	OFF	ON	OFF	ON	OFF	ON	OFF
Auxiliary [1]	ON	ON	ON	ON	ON	ON	ON	ON

[1] See the descriptions below for operation details

[2] For externally coded or temporal operations, set the BPS to sense follow mode and use an externally coded or temporal source to activate the BPS sense circuit to generate the coded or temporal pattern.

### Sense follow mode

In sense follow mode, NACs are activated following the sense circuits that are defined to turn on the NACs. The NACs turn on with a one- or four-second delay to allow Genesis strobes to synchronize on the NAC side and sense side. The four-second delay does not comply with UL864 9th edition. In this mode, a continuous input, 120 ppm, temporal, or coded input can be used.

**Note:** Sense follow must be used when the sense circuit is connected to a SIGA-CC1S, Genesis G1M-RM, FireShield panel, or a BPS generating Genesis sync pulses.

## **Continuous mode**

In continuous mode, NACs are activated following the sense circuits in continuous mode. They activate one or four seconds after the sense input activates and restore seven seconds after the sense input restores.

**Note:** Activating the NACs four seconds after the sense input restores does not comply with UL 864 9th edition.

## **Temporal mode**

In temporal mode, NACs are activated following the sense circuits in temporal mode. They activate one or four seconds after the sense input activates and restore seven seconds after the sense input restores. NACs generate temporal output as defined by NFPA.

**Note:** Activating the NACs four seconds following sense circuits in temporal mode does not comply with UL 864 9th edition.

## **Auxiliary**

In auxiliary mode, NACs turn on during power-up. Sync pulses are not generated. Aux circuits can be configured to stay active during a power fail or load shed on a power fail (after a 20 second delay). Aux circuits are load shed when the system reaches low battery to prevent deep discharge of the batteries.



## Genesis mode for continuous NACs (SW2-5)

Switch SW2-5 controls NAC operation for Genesis synchronization in continuous mode.

**Table 7: Switch settings (SW2-5)**

Switch setting	Operation description
ON	Continuous NACs are Genesis strobe or horn/strobe circuits. Continuous NACs generate a Genesis sync pulse. In Genesis Master mode, continuous NACs generate Genesis audible on/off signals based on the Sense 2 input circuit.
OFF	Continuous NACs do not generate Genesis signaling pulses

## AC power loss reporting (SW2-6)

Switch SW2-6 controls when a report is sent to the system for an AC power loss.

**Table 8: Switch settings (SW2-6)**

Switch setting	Operation description
ON	<p>The BPS trouble relay is dedicated to AC power loss reporting. The trouble relay switches within 20 seconds when AC fails or restores.</p> <p>The sense circuits immediately signal a fault condition for any <i>non-AC</i> power loss faults. If AC power fails, the sense circuits signal a fault condition after three hours of power loss.</p>
OFF	The trouble relay operates for any trouble on the BPS. The sense circuits signal a fault for any troubles.

## Auxiliary control during AC power loss (SW2-7)

Switch SW2-7 controls auxiliary outputs during AC loss.

**Note:** The 200 mA continuous AUX circuit is not affected by AC power loss.

**Table 9: Switch settings (SW2-7)**

Switch setting	Operation description
ON	Auxiliary outputs turn off 20 seconds after power fail
OFF	Auxiliary outputs stay on after AC power fail until the battery is less than 18.4 VDC

## Class A or B NAC configuration (SW2-8)

Switch SW2-8 controls NAC Class A or B operation for all NACs.

**Note:** Jumpers JP1 and JP2 must be set to match the operation of this switch.

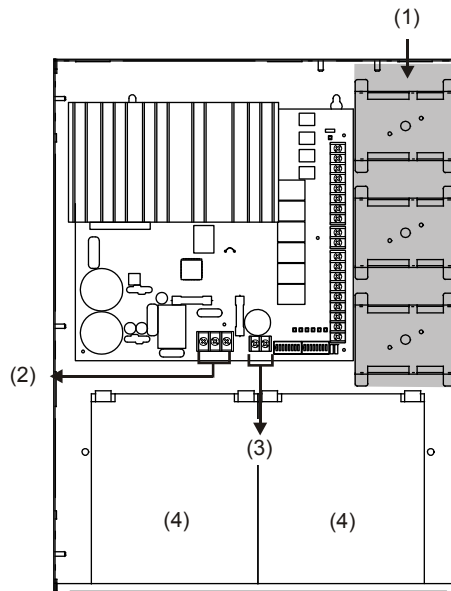
**Table 10: Switch settings (SW2-8)**

Switch setting	Operation description
ON	Class A NACs
OFF	Class B NACs

# Wire routing

Separate power-limited from nonpower-limited wiring. Wiring within the enclosure should be routed around the perimeter of the enclosure, not across the circuit board.

Figure 10: Wire routing



## Legend

- (1) Power-limited wiring area
- (2) Route AC supply through knockouts in nonpower-limited area
- (3) Battery wiring
- (4) Battery

## Notes

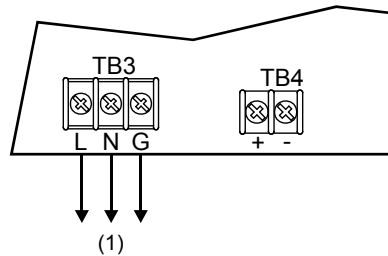
- Maintain 0.25 in. (6 mm) spacing between power-limited and nonpower-limited wiring.
- NAC circuits are power-limited and supervised for opens, shorts, and overcurrents. When configured as auxiliary power circuits, they are power-limited and supervised for shorts and overcurrents.
- Source must be power-limited. Source determines supervision.
- Position the battery terminals towards the door.

# Connecting the field wiring

**Caution:** Break the wire run at each terminal connection to provide proper connection supervision. Do not loop wires under the terminals.

## AC power wiring

Figure 11: AC power wiring



(1) 120 VAC connection shown. For 230 VAC connections, connect L1 to L and L2 to N. Do not operate unit without a ground connection.

## Battery wiring

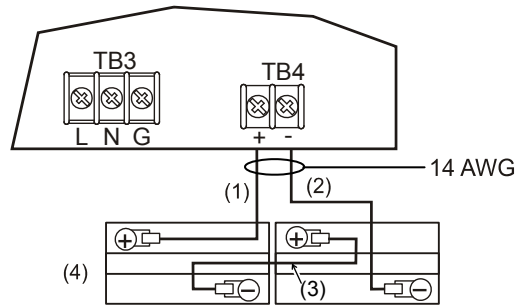
Two backup batteries are required with the BPS. The largest batteries that fit in the BPS enclosure are 10 Ah. Batteries larger than 10 Ah must be installed in a BC-1 or BC-2 battery cabinet.

**Caution:** For proper battery charging, the battery charging jumper wire (JP4) must be set according to the battery size you are using. Refer to “Setting the jumpers” for details about jumper JP4 and Figure 1 for the location of JP4.

### Notes

- Batteries should be replaced every five years, or as required by local codes.
- Refer to local and national codes for battery maintenance requirements.

Figure 12: Battery wiring

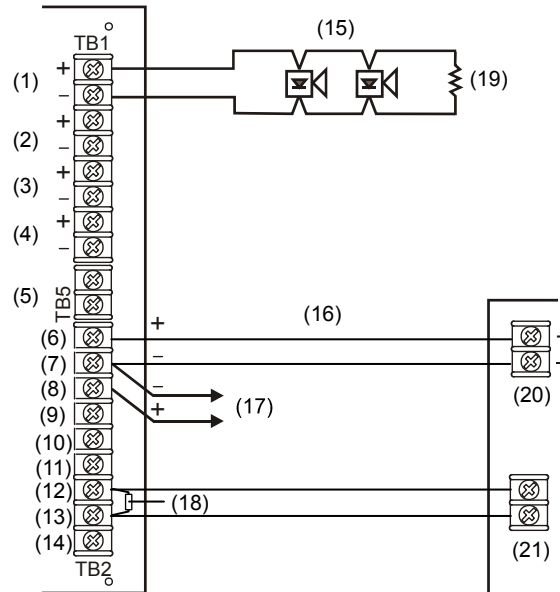


- (1) Red
- (2) Black
- (3) Blue
- (4) Top view

## NAC Class B wiring

Connect a single NAC circuit to one NAC output. Terminate the circuit with a 15 k $\Omega$  EOL resistor.

Figure 13: NAC class B wiring



### Legend

- |                           |   |
|---------------------------|---|
| (1) NAC1                  | (13) Trouble COM  |
| (2) NAC2                  | (14) Trouble NC   |
| (3) NAC3                  | (15) Notification appliance circuit (NAC), typical of up to four NACs                 |
| (4) NAC4                  | (16) Input from signaling circuit. This is a control circuit. NACs are not permitted. |
| (5) 200 mA AUX Continuous | (17) To next booster, or NAC end-of-line resistor                                     |
| (6) Sense 1 IN            | (18) EOL  |
| (7) Sense 1 COM           | (19) EOL (UL listed 15 k $\Omega$ for NAC)  |
| (8) Sense 1 OUT           | (20) Control circuit source   |
| (9) Sense 2 IN            | (21) AC power fail monitoring   |
| (10) Sense 2 COM          |   |
| (11) Sense 2 OUT          |   |
| (12) Trouble NO           |   |

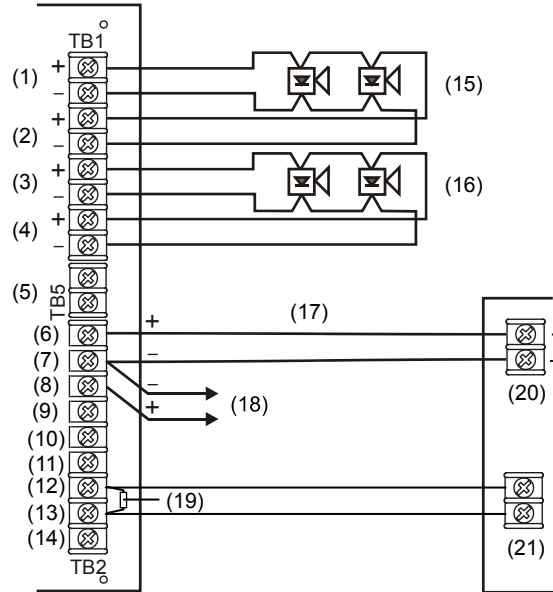
### Notes

- A trouble on the booster power supply is sensed on the circuit that connects to the BPS sense input. This removes the need to separately monitor the trouble contact except for AC power failure.
- In an alarm condition, the booster power supply allows NAC current to move downstream to devices connected to the existing control panel's NAC circuit.
- Refer to the connected control module or control unit's documentation for more details on control circuit wiring.
- The AC power failure panel connection annunciates at the panel but does not report off premises for a predetermined time in U.S. fire applications. See Table 8 on page 19.

## NAC Class A wiring

Connect one NAC circuit to one NAC output, either NAC1 or NAC3. Terminate the circuit at the NAC2 or NAC4 terminal screw, respectively.

Figure 14: NAC class A wiring



### Legend

- |                                 |  |
|---------------------------------|--|
| (1) NAC1/AUX1                   | (12) Trouble NO  |
| (2) NAC2/AUX2 (return for NAC1) | (13) Trouble COM   |
| (3) NAC3/AUX3                   | (14) Trouble NC  |
| (4) NAC4/AUX4 (return for NAC3) | (15) Notification appliance circuit (NAC)                        |
| (5) 200 mA AUX Continuous       | (16) Notification appliance circuit (NAC)                        |
| (6) Sense 1 IN                  | (17) Input from signaling circuit                                |
| (7) Sense 1 COM                 | (18) To next booster, or NAC returning to existing control panel |
| (8) Sense 1 OUT                 | (19) EOL for IDC circuit   |
| (9) Sense 2 IN                  | (20) Control circuit source                                      |
| (10) Sense 2 COM                | (21) AC power fail monitoring                                    |
| (11) Sense 2 OUT                |  |

Note: The AC power failure panel connection annunciates at the panel but does not report off premises for a predetermined time in US fire applications. See Table 8 on page 19.

## Sense circuit wiring

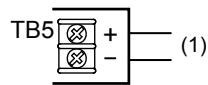
The BPS has two Class B sense (activation) circuits (Sense 1 and Sense 2). See Figure 13 and Figure 14.

**Note:** When NACs 1, 2, 3, and 4 are configured for AUX (Figure 16), sense activation of NAC circuits reports a trouble condition to the control panel using these circuits.

Any BPS trouble opens the sense circuit, which sends a trouble event message to the control panel, indicating that a trouble exists on that circuit.

## AUX power wiring

Figure 15: Dedicated AUX power



(1) AUX power 200 mA continuous

### NAC configured as AUX power

Each NAC can be configured through a DIP switch for use as AUX power. A DIP switch also controls AUX operation during AC power loss. See “Setting the DIP switches” for details.

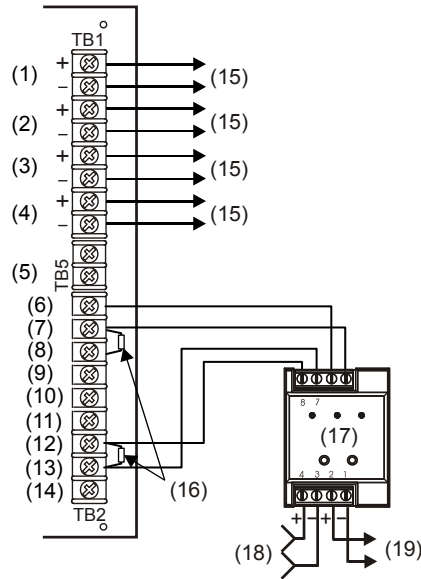
This auxiliary configuration is compatible with fire alarm, security, and access control applications, which can be combined in a single system, if all of the devices are listed.

### Trouble relay wiring with four AUX circuits

When all four NAC/AUX circuits are configured as AUX circuits and DIP switch SW2-6 is ON, a SIGA-CT2 module must be used to monitor the sense 1 trouble contacts and the trouble relay.



**Figure 16: Trouble relay wiring with four AUX circuits**



**Legend**

- |                                   |   |
|-----------------------------------|---|
| (1) NAC1/AUX1                     | (11) Sense 2 OUT  |
| (2) NAC2/AUX2                     | (12) Trouble NO   |
| (3) NAC3/AUX3                     | (13) Trouble COM  |
| (4) NAC4/AUX4                     | (14) Trouble NC   |
| (5) 200 mA AUX Continuous         | (15) To auxiliary device.                                 |
| (6) Sense 1 IN (trouble contact)  | (16) EOL 47 kΩ  |
| (7) Sense 1 COM (trouble contact) | (17) CT2 module   |
| (8) Sense 1 OUT (trouble contact) | (18) Data in from previous device or Signature controller |
| (9) Sense 2 IN                    | (19) Data out to next device                              |
| (10) Sense 2 COM                  |   |

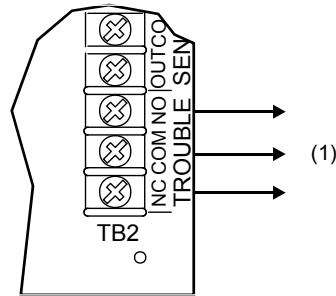
**Notes**

- The NAC/AUX circuit must be configured for AUX operation using the DIP switches. See “Setting the DIP switches” for details.
- CT2 modules must be wired and programmed on the Signature controller for proper operation.
- AC power loss causes circuit 2 on the CT2 to report a trouble to the control panel (see panel programming). All other BPS troubles cause circuit 1 (Sense 1) on the CT2 to report a trouble to the panel.

## Common trouble relay wiring

The BPS has a Form C common trouble relay that provides a normally open and normally closed contact. The trouble relay switches under any trouble condition when DIP switch SW2-6 is off. When the switch is on, the BPS trouble relay is dedicated to AC power loss reporting. The trouble relay switches within 20 seconds when AC fails or restores. The sense circuits immediately signal a fault condition for any non-AC power loss faults. When AC power fails, the sense circuits signal a fault condition after three hours of power loss.

**Figure 17: Common trouble relay wiring**



(1) To booster trouble monitoring device

When using the sense circuit as common trouble relays, the BPS operates as outlined in the following scenarios.

### **Scenario 1: Trouble on any non-AC power fault**

Result:

- Sense 1 opens.
- An AC power failure closes the trouble contact at 20 seconds and activates Sense 1 at three hours.

For a wiring example, see Figure 16 on page 27.

### **Scenario 2: Sense 1 activates all four NAC circuits**

Result:

- Sense 1 opens.
- An AC power failure closes the trouble contact at 20 seconds and activates Sense 1 at three hours.

For a wiring example, see Figure 19 on page 30.

### **Scenario 3: Sense 1 and Sense 2 are operating with multiple CC1 modules**

Result:

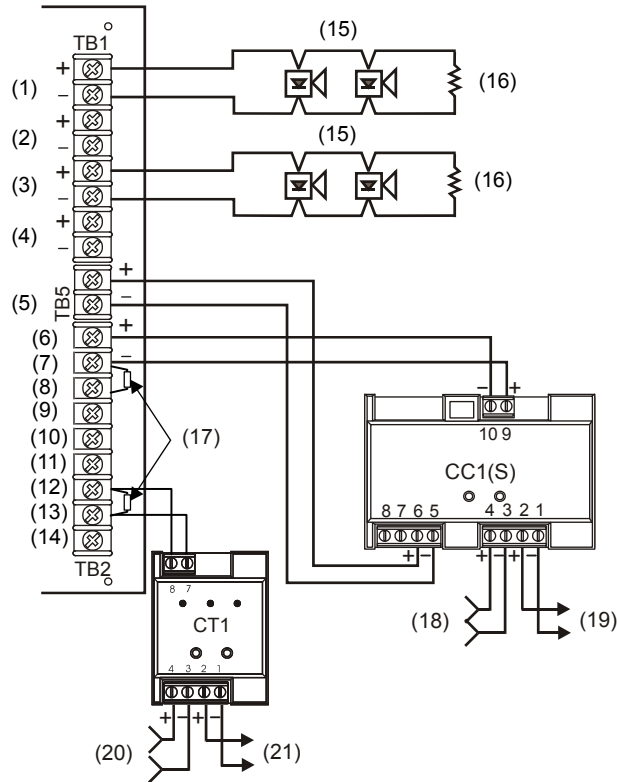
- A fault on NAC 1 or NAC 2 causes Sense 1 to open.
- A fault on NAC 3 or NAC 4 causes Sense 2 to open.
- A panel-related fault other than an AC failure (e.g., ground fault or battery fault) causes Sense 1 and Sense 2 to open.
- An AC power failure closes the trouble contact at 20 seconds and activates Sense 1 at three hours

For a wiring example, see Figure 20 on page 32.

# NAC wiring using CC1(S) modules

The following wiring diagrams show Signature Series CC1(S) module connections. However, other Signature Series signal modules can be used.

**Figure 18: Single CC1(S) using the BPS's 200 mA AUX continuous circuit**



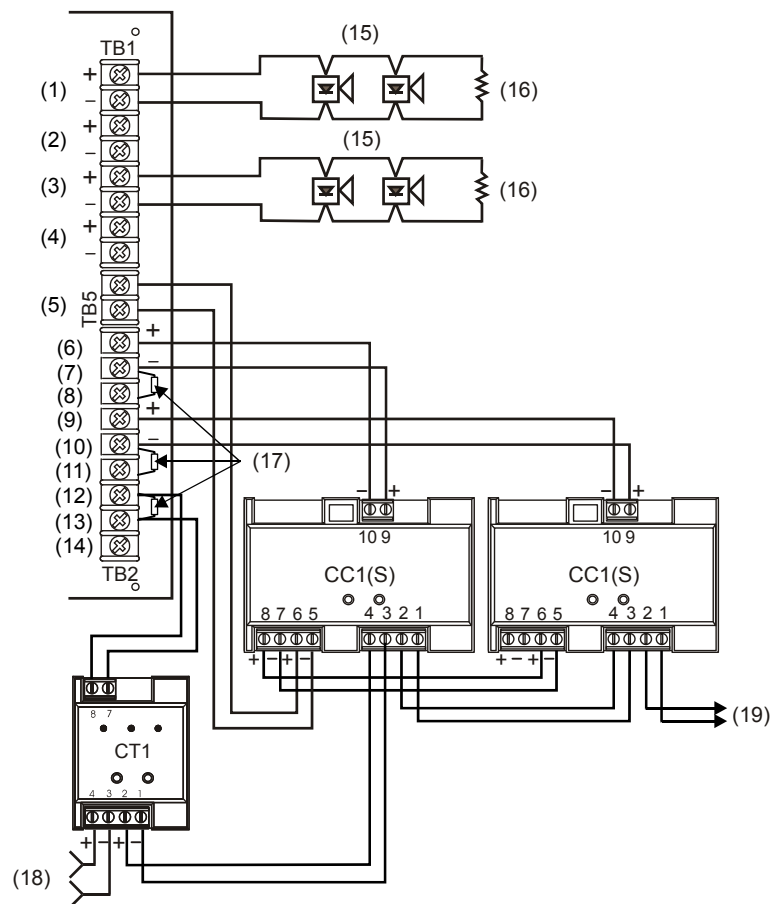
## Legend

- |                           |   |
|---------------------------|---|
| (1) NAC1/AUX1             | (13) Trouble COM  |
| (2) NAC2/AUX2             | (14) Trouble NC   |
| (3) NAC3/AUX3             | (15) Notification appliance circuit (NAC)                 |
| (4) NAC4/AUX4             | (16) UL listed EOL 15 k $\Omega$                          |
| (5) 200 mA AUX Continuous | (17) EOL 47 k $\Omega$                                    |
| (6) Sense 1 IN            | (18) Data in from previous device or Signature controller |
| (7) Sense 1 COM           | (19) Data out to next device                              |
| (8) Sense 1 OUT           | (20) Data in from previous device or Signature controller |
| (9) Sense 2 IN            | (21) Data out to next device                              |
| (10) Sense 2 COM          |   |
| (11) Sense 2 OUT          |   |
| (12) Trouble NO           |   |

Notes

- CC1(S) modules must be wired and programmed on the Signature controller for proper operation.
- Any BPS trouble causes the CC1(S) supervision to report a trouble to the main control panel when DIP switch SW2-6 is on. AC power failure is delayed for three hours.
- CC1(S) wiring must be within three feet of the BPS enclosure and in conduit or mounted within the BPS's enclosure. If CC1(S) wiring is more than three feet from a BPS enclosure, then a separate listed EOL relay (PAM1, 6254A-003, or 73402A) or equivalent must be used to supervise the 200 mA AUX circuit wiring.
- When configured for AC power loss reporting using the trouble relay (DIP switch SW2-6 ON), the CT1 module supervises and reports the AC power loss to the control panel. When DIP switch SW2-6 is OFF, the CT1 module is not required.

Figure 19: Multiple CC1(S) modules using the BPS's sense inputs



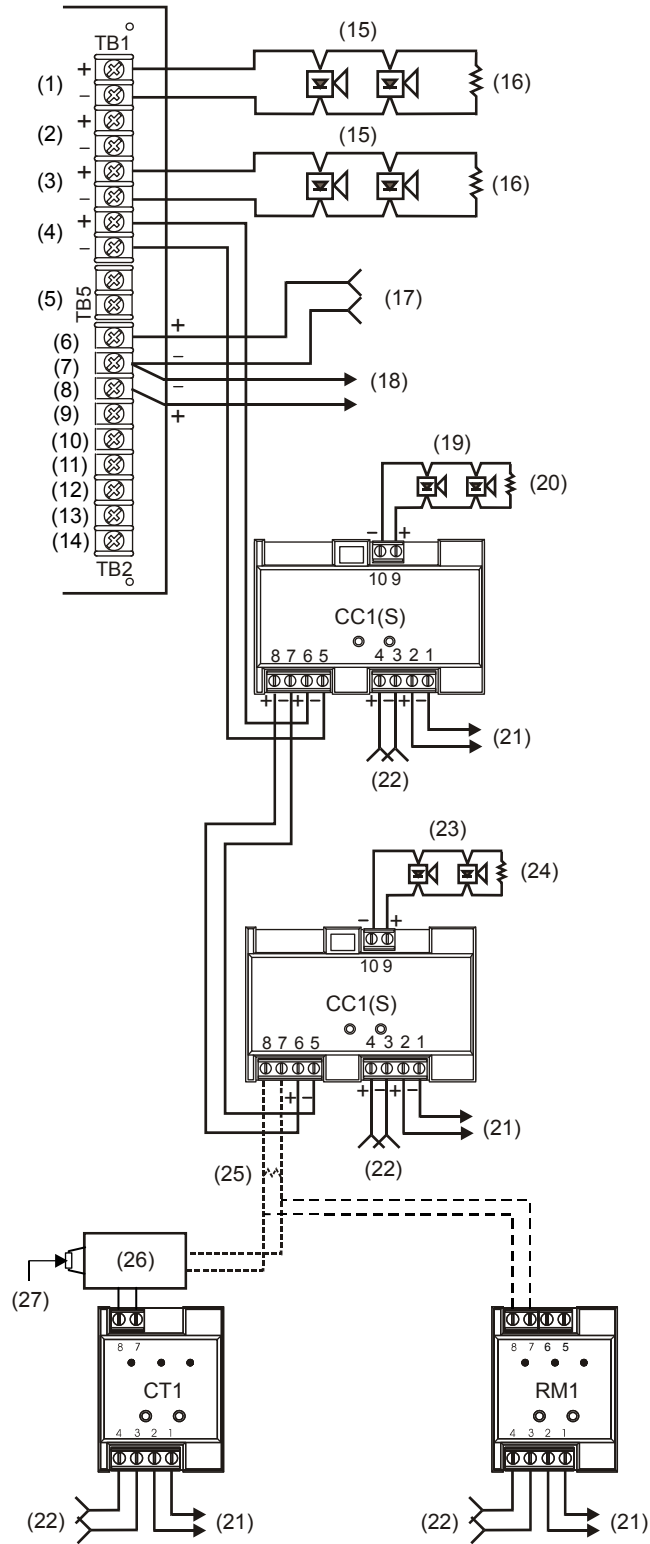
## Legend

(1) NAC1/AUX1	(12) Trouble NO
(2) NAC2/AUX2	(13) Trouble COM
(3) NAC3/AUX3	(14) Trouble NC
(4) NAC4/AUX4	(15) Notification appliance circuit (NAC)
(5) 200 mA AUX Continuous	(16) UL listed EOL 15 kΩ
(6) Sense 1 IN	(17) EOL 47 kΩ
(7) Sense 1 COM	(18) Data in from previous device or Signature controller
(8) Sense 1 OUT	(19) Data out to next device
(9) Sense 2 IN	
(10) Sense 2 COM	
(11) Sense 2 OUT	

## Notes

- CC1(S) modules must be wired and programmed on the Signature controller for proper operation.
- Any BPS trouble causes the CC1(S) supervision to report a trouble to the main control panel when DIP switch SW2-6 is on. AC power failure is delayed for three hours.
- If CC1(S) wiring is more than three feet from a BPS enclosure, then a separate listed EOL relay (PAM1, 6254A-003, or 73402A) or equivalent must be used to supervise the 200 mA AUX circuit wiring.
- When configured for AC power loss reporting using the trouble relay (DIP switch SW2-6 ON), the CT1 module supervises and reports the AC power.

Figure 20: Multiple CC1(S) modules using one of the BPS's NAC/AUX circuits



## Legend

(1) NAC1/AUX1	(16) UL listed EOL 15 kΩ
(2) NAC2/AUX2	(17) From existing fire alarm panel notification circuit or CC1(S) module
(3) NAC3/AUX3	(18) Out to EOL or next device
(4) NAC4/AUX4	(19) NAC circuit
(5) 200 mA AUX Continuous	(20) UL listed EOL 15 kΩ
(6) Sense 1 IN	(21) Data out to next device
(7) Sense 1 COM	(22) Data in from previous device or Signature controller
(8) Sense 1 OUT	(23) NAC circuit
(9) Sense 2 IN	(24) UL listed EOL 15 kΩ
(10) Sense 2 COM	(25) EOL 15 kΩ, when used as a NAC
(11) Sense 2 OUT	(26) UL listed EOL relay
(12) Trouble NO	(27) EOL 47 kΩ
(13) Trouble COM	
(14) Trouble NC	
(15) Notification appliance circuit (NAC)	

## Notes

- When a booster power supply output is programmed as an AUX output, a listed EOL relay (PAM1, 6254A-003, or 73402A) or equivalent must be used to supervise the AUX output.
- When a booster power supply output is programmed as an NAC output, a 15 kΩ EOL resistor must be used for supervision.

# Installing the 3-TAMP tamper switch

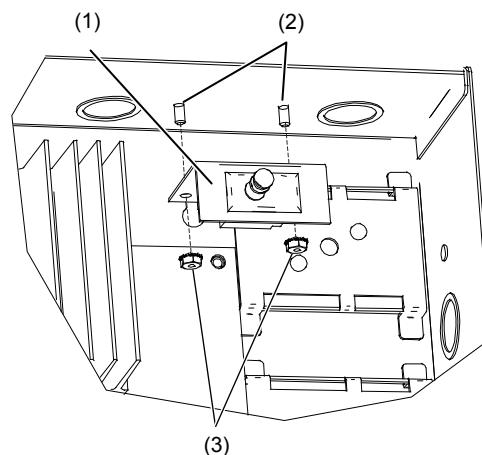
The 3-TAMP tamper switch is used to detect an open enclosure door for security purposes.

**Note:** The 3-TAMP tamper switch *must* be used for security applications and connected to a SIGA-SEC2 module mounted in the enclosure.

## To install the tamper switch:

1. Install an EOL resistor on the 3-TAMP. Refer to the *3-TAMP Installation Sheet (P/N 387422)* for more information.
2. Position the tamper switch over the mounting standoffs. See the diagram below.
3. Use the two locking nuts provided to secure the tamper switch. See the diagram below.
4. Connect all wiring to the tamper switch. Refer to the *3-TAMP Installation Sheet (P/N 387422)* for details on wiring the tamper switch.

**Figure 21: Tamper switch installation**



- (1) 3-TAMP tamper switch
- (2) Mounting standoffs
- (3) Locking nuts



# Battery calculation worksheet

<b>Supervisory (AUX1, AUX2, AUX3, AUX4)</b>			
Note: Only add auxiliary current if SW2-7 is OFF. Auxiliary output stays on after AC power failure.			
Device type	Quantity	Current (mA)	Total/device
Total AUX current (0 if switch SW2-7 is off, maximum 6.5 A for BPS6A and 8 A for BPS10A):			mA (A)
Number of circuits set to AUX		35 mA (per AUX circuit)	mA (B)

<b>200 mA AUX</b>			
Device type	Quantity	Current (mA)	Total/device
Total 200 mA AUX current:			mA (C)

Rated base BPS supervisory current:		70 mA (D)
Total supervisory current (A + B + C + D):		mA (E)
Hours of supervisory:		Hrs (F)
Supervisory mAh (E x F):		mAh (G)

<b>Alarm (NAC1, NAC2, NAC3, NAC4)</b>			
Device type	Quantity	DC current (mA, RMS)	Total/device
Total NAC current:			mA (H)

Rated base BPS alarm current:		270 mA (J)
Total alarm current (E + H + J):		mA (K)
Minutes of alarm:		Min (L)
Hours of alarm (L/60):		Hr (M)

Alarm mAh required (K x M):	mAh (N)
Total battery mAh (N + G):	mAh (O)
Total battery Ah (O/1000):	Ah (P)
Factor of safety 20% [1] (P x 1.20)	Ah (Q)
Supervisory battery current (E/1000):	A (R)

[1] Twenty percent safety margin per NFPA 72-2010 10.5.6.3.1 (1).

# Notification appliance circuit calculations

## Introduction

This topic shows you how to determine the maximum cable length of a notification appliance circuit (NAC) for a given number of appliances.

Two methods are presented: worksheet and equation. The worksheet method is simpler, but your installation must meet the criteria listed on the worksheet. If your installation does not meet these criteria, you need to use the equation method.

The methods given here determine cable lengths that work under all operating conditions. The calculations ensure that the required operating voltage and current will be supplied to all notification appliances. To do this, we assume these two worst-case conditions:

- The voltage at the NAC terminals is the minimum provided by the power supply
- The notification appliances are clustered at the end of the NAC circuit

Other, more detailed methods that distribute the appliance load along the NAC cable may indicate that longer cable runs are possible.

## What you'll need

### Appliance and cable values

Whether you use the worksheet method or the equation method, you'll need to know:

- The minimum operating voltage required for the appliances
- The maximum operating current drawn by each appliance
- The resistance per unit length of the wire used ( $\Omega/\text{ft}$ )

This information can be found on the appliance installation sheets and on the cable specification sheet.

### Power supply values

For either method, you'll need some fixed or calculated operating values for your specific power supply. The fixed values are:

- Maximum voltage = 26.3 V
- Source voltage = 19.1 V
- Load factor = 0.59 V/A
- Power type = DC (filtered/regulated)

The *maximum voltage* is the highest voltage measured at the NAC terminals. This value is not used in the calculations, but is given so you can ensure appliance compatibility.

The *source voltage* is the BPS is 19.1 VDC operating minimum for the power supply, and is calculated as 85% of 24 volts minus the internal panel loss.

The *load factor* is a measure of how the power supply voltage reacts when a load is applied. The load factor measures the voltage drop per ampere of current drawn by the load.

The *power type* reflects the type of power supplied to the NAC terminals at minimum voltage. The current draw of notification appliances can vary substantially with the type of power supplied: full-wave rectified (VFWR) or direct current (VDC). It is important to know the power type at minimum terminal voltage.

You'll need to calculate the following values relating to your power supply and to the NAC circuit current. These are:

- Minimum voltage
- Voltage drop

The *minimum voltage* is the lowest voltage measured at the NAC terminals when the power supply is under the maximum load for that circuit (i.e. for the appliances that constitute the NAC.)

The *voltage drop* is the difference between the minimum voltage and 16 V. This value is for use with the worksheet only.

## Worksheet method

Use this worksheet to determine the maximum cable length of a notification appliance circuit for a given number of appliances.

Use this worksheet only if all the appliances are regulated. That is, they must have a minimum operating voltage of 16 V. For other appliances, use the “Equation method.”

### Worksheet 1: NAC cable length

		NAC1	NAC2	NAC3	NAC4	
Total operating current [1]		<input type="text"/>	<input type="text"/>	<input type="text"/>	<input type="text"/>	A
Load factor	×	<input type="text" value="0.59"/>	<input type="text" value="0.59"/>	<input type="text" value="0.59"/>	<input type="text" value="0.59"/>	V/A
Load voltage drop	=	<input type="text"/>	<input type="text"/>	<input type="text"/>	<input type="text"/>	V
Source voltage		<input type="text" value="19.1"/>	<input type="text" value="19.1"/>	<input type="text" value="19.1"/>	<input type="text" value="19.1"/>	V
Load voltage drop	-	<input type="text"/>	<input type="text"/>	<input type="text"/>	<input type="text"/>	V
Minimum voltage	=	<input type="text"/>	<input type="text"/>	<input type="text"/>	<input type="text"/>	V
Regulated appliance voltage	-	<input type="text" value="16.0"/>	<input type="text" value="16.0"/>	<input type="text" value="16.0"/>	<input type="text" value="16.0"/>	V
Voltage drop [2]	=	<input type="text"/>	<input type="text"/>	<input type="text"/>	<input type="text"/>	V
Total operating current	÷	<input type="text"/>	<input type="text"/>	<input type="text"/>	<input type="text"/>	A
Maximum resistance	=	<input type="text"/>	<input type="text"/>	<input type="text"/>	<input type="text"/>	Ω
Wire resistance (Ω/ft) [3]	÷	<input type="text"/>	<input type="text"/>	<input type="text"/>	<input type="text"/>	
Maximum wire length	=	<input type="text"/>	<input type="text"/>	<input type="text"/>	<input type="text"/>	ft
	÷	<input type="text" value="2"/>	<input type="text" value="2"/>	<input type="text" value="2"/>	<input type="text" value="2"/>	
<b>Maximum cable length</b>	=	<input type="text"/>	<input type="text"/>	<input type="text"/>	<input type="text"/>	ft

[1] Total of the maximum operating currents for all appliances as specified for DC power. See the appliance installation sheets for operating currents.

[2] This voltage drop is valid for regulated notification appliances only. For special application appliances, see “Equation method,” later in this topic.

[3] Use the manufacturer’s published wire resistance expressed in ohms per foot. For typical values, see Table 11 on page 40.

## Equation method

### Appliance operating voltage and current

Regulated notification appliances have an operating range from 16 V to 33 V. Use 16 V as the minimum appliance voltage when using regulated notification appliances.

When using special application appliances, refer to the installation sheets to determine the minimum appliance voltage required.

What if there are different types of appliances in the NAC, and each type has a different minimum operating voltage? In this case, use the *highest* minimum voltage required by any appliance.

The total current requirement for the appliances will be the sum of the individual maximum currents drawn by each appliance when using DC power. Use the maximum current for the appliance over the 16 V to 33 V range.

If all appliances draw the same maximum current, the total current is the maximum current multiplied by the number of appliances. If different appliance types have different maximum currents, the total current is the sum of the maximum current for each appliance type multiplied by the number of appliances of that type.

### Wire resistance

Typical wire resistances are shown in the following table.

Table 11: Typical wire resistances

Wire gauge (AWG)	Resistance Solid uncoated copper		Resistance Stranded uncoated copper	
	$\Omega$ per foot	$\Omega$ per meter	$\Omega$ per foot	$\Omega$ per meter
12	0.00193	0.00633	0.00198	0.00649
14	0.00307	0.01007	0.00314	0.01030
16	0.00489	0.01604	0.00499	0.01637
18	0.00777	0.02549	0.00795	0.02608

**Note:** When performing these calculations, always refer to the actual cable supplier documentation and use the actual  $\Omega/\text{ft}$  (or  $\Omega/\text{m}$ ) at the appropriate temperature for the cable being used.

## Calculating cable length

### To calculate the maximum NAC cable length:

1. Calculate the total current ( $I_{tot}$ ) as the sum of the maximum operating currents for all the appliances.

$$I_{tot} = \sum I_a$$

Where:

$I_a$  = appliance maximum current

See the appliance installation sheets for  $I_a$ . Remember to use the maximum operating current specified for DC power.

2. Calculate the minimum voltage ( $V_m$ ).

$$V_m = V_s - (I_{tot} \times K)$$

Where:

$V_s$  = source voltage

$I_{tot}$  = total current (from above)

$K$  = load factor

For the power supply,  $V_s$  is 19.1 V and  $K$  is 0.59 V/A.

3. Calculate the allowable voltage drop ( $V_d$ ) between the power supply and the appliances.

$$V_d = V_m - V_a$$

Where:

$V_m$  = minimum voltage (from above)

$V_a$  = appliance minimum voltage

For regulated notification appliances,  $V_a$  is 16 V. For special application appliances,  $V_a$  is the lowest operating voltage specified on the appliance installation sheet.

4. Calculate the maximum resistance ( $R_{max}$ ) for the wire.

$$R_{max} = V_d / I_{tot}$$

Where:

$V_d$  = voltage drop

$I_{tot}$  = total current

5. Calculate the maximum length of the cable ( $L_c$ ), based on the maximum resistance allowed, the resistance of the wire, and the number of wires in the cable (two).

$$L_c = (R_{max} / R_w) / 2$$

Where:

$R_{max}$  = maximum resistance

$R_w$  = wire resistance factor

**Example:** You're using regulated notification appliances. Assume that the maximum operating current for each appliance is 100 mA for DC power, and that 20 appliances will be placed on the NAC. The cable is 12 AWG wire, and the manufacturer specifies a wire resistance factor of 0.002  $\Omega$ /ft.

$$\begin{aligned} I_{tot} &= \Sigma I_a \\ &= 20 \times 0.1 \text{ A} \\ &= 2 \text{ A} \end{aligned}$$

$$\begin{aligned} V_m &= V_r - (I_{tot} \times K) \\ &= 19.1 \text{ V} - (2 \text{ A} \times 0.59 \text{ V/A}) \\ &= 19.1 \text{ V} - 0.76 \text{ V} \\ &= 18.94 \text{ V} \end{aligned}$$

$$\begin{aligned} V_d &= V_m - V_a \\ &= 18.94 \text{ V} - 16.0 \text{ V} \\ &= 2.94 \text{ V} \end{aligned}$$

$$\begin{aligned} R_{max} &= V_d / I_{tot} \\ &= 2.94 \text{ V} / 2.0 \text{ A} \\ &= 1.47 \Omega \end{aligned}$$

$$\begin{aligned} L_c &= (R_{max} / R_w) / 2 \\ &= (1.47 \Omega / 0.002 \Omega/\text{ft}) / 2 \\ &= (367.5 \text{ ft}) / 2 \\ &= 367.5 \text{ ft} \end{aligned}$$

So the maximum wire run for this NAC would be 367.5 ft (rounding down for safety).



# Understanding BPS synchronization

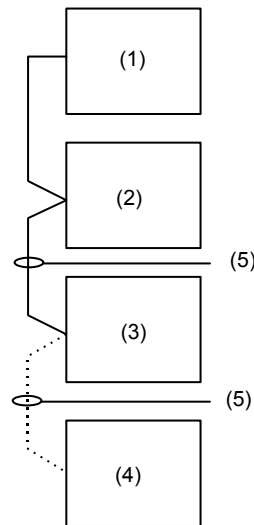
When using Genesis devices, the activation of the visible and audible output circuits on the BPS are determined by how the BPSs are connected. No matter how BPSs are connected, their outputs are “in sync” but there is an output activation delay of either one or four seconds. This section details how BPS outputs work based on how they are connected.

## Connection of booster power supplies

Multiple BPSs can be connected in parallel. How you connect your BPSs affects the synchronization of your system’s outputs.

BPSs can be connected in parallel using their sense circuits. When connected via the sense circuits, all BPS outputs have either a one- or four-second delay from the time the driver NAC turns on to the time the BPS NACs turn on. The four-second delay does not comply with UL 864 9th edition. Delay time is controlled by DIP switch SW1-4. See “Setting the DIP switches” for more information.

**Figure 22: BPSs connected in parallel with sense circuits**



### Legend

- (1) NAC circuit
- (2) BPS 1
- (3) BPS 2
- (4) BPS x
- (5) Sense circuit

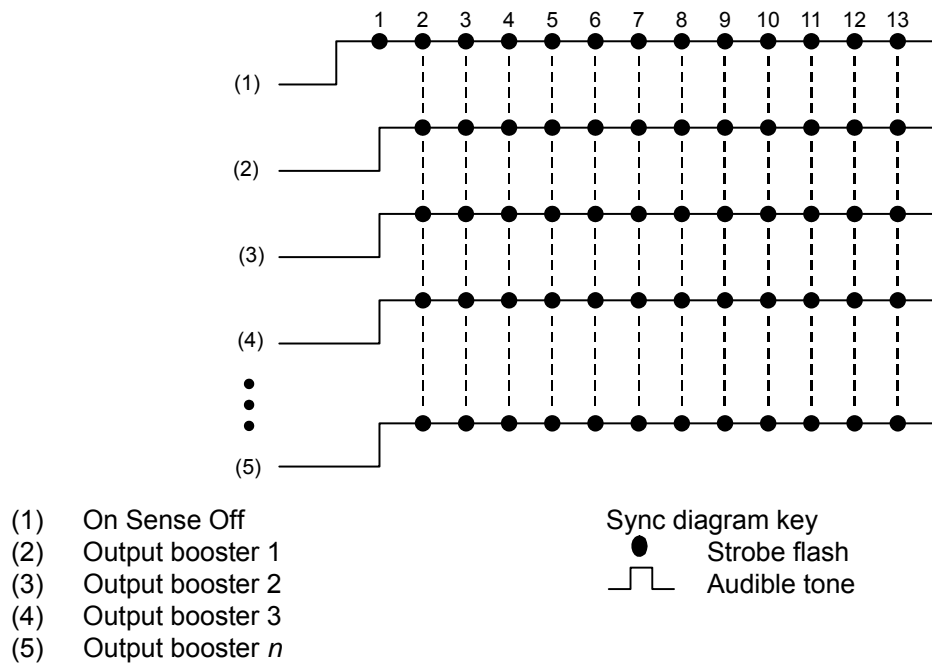
### Notes

- To ensure all BPSs are synchronized in a Genesis application, the driving NAC must provide the Genesis synchronization pulse. Therefore, the BPSs must not be set to Genesis mode.
- The quantity of BPSs that can be connected is limited by wire run length and available current.

## Synchronization of visible outputs

In the figure below, all visible output circuits on each BPS activate with a one second delay. This requires that the BPSs be connected in parallel through their sense circuits.

Figure 23: Synchronization with a one second output activation delay



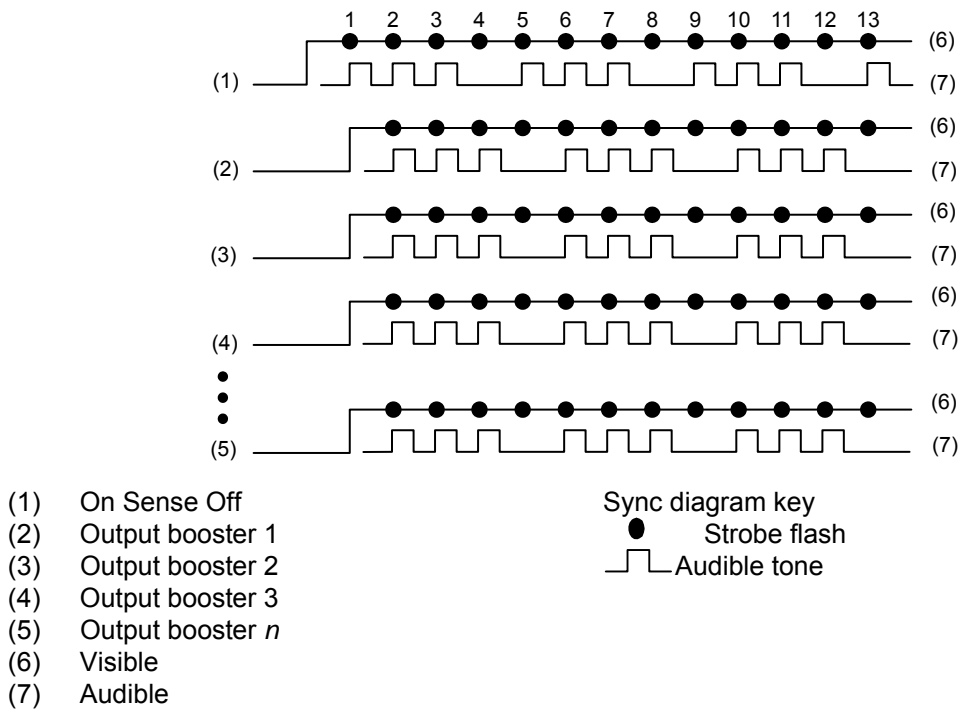
## Synchronization of visible and audible outputs

### One-second delay of outputs

In the figure below, all visible and audible circuits are synchronized with a one second output activation delay when the BPSs are connected in parallel through their sense circuits.

**Note:** Delay time is controlled by DIP switch SW1-4. See “Setting the DIP switches” for more information.

**Figure 24: BPSs connected in parallel with sense circuits**



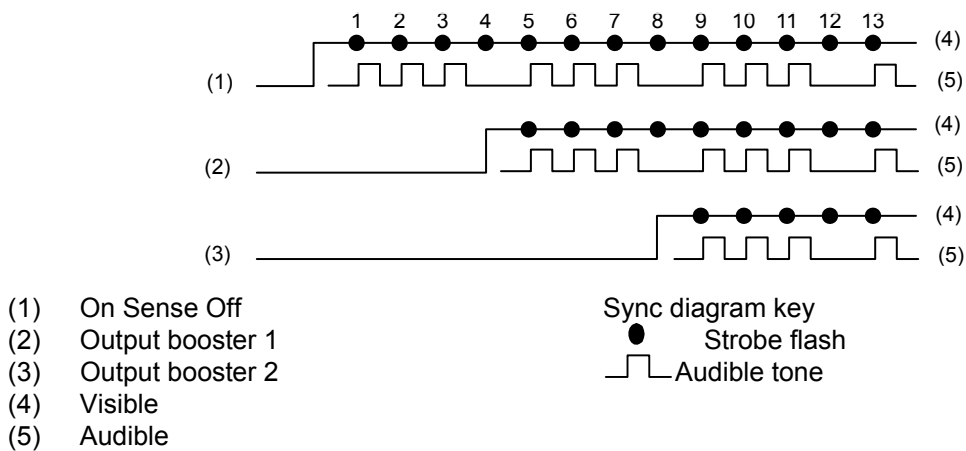
**Four-second delay of outputs (temporal setting)**

**Note:** Four-second delay operation does not comply with UL 864 9th edition.

In Figure 25 all visible and audible circuits are synchronized with a four second output activation delay when the BPSs are connected in parallel through their sense circuits.

**Note:** Delay time is controlled by DIP switch SW1-4. See “Setting the DIP switches” for more information.

**Figure 25: BPSs connected in parallel with sense circuits**








# Applications

**Disclaimer:** The applications in this section are shown in general terms. It is the responsibility of the installer and designer to adhere to the local and national codes when applying and installing the BPS.

## Key

The following symbols and notations are found on the application diagrams in this section.

### Device labels

Symbol	Description
	Visible device
	Audible device
	Genesis visible/audible device
	Visible or audible device
	Device generating the Genesis sync pulse <b>Note:</b> When this symbol appears on a BPS, the Genesis sync pulse is controlled by DIP switch SW2-5.

### BPS modes (controlled by DIP switch)

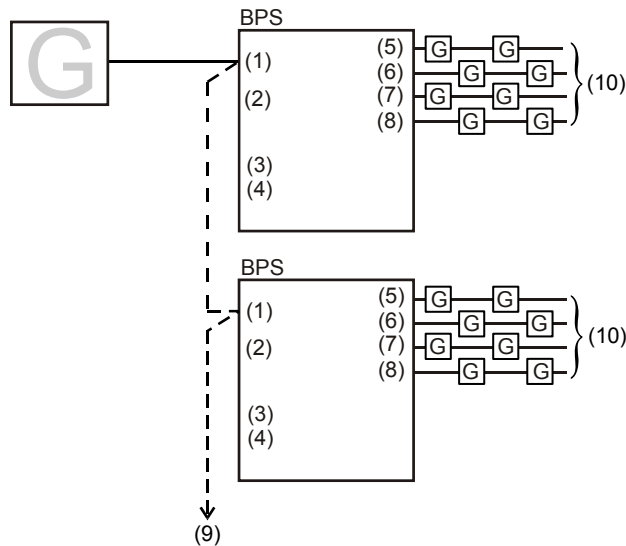
Notation	Description
COR	Correlate mode
GM	Genesis Master mode
ND	Nondelayed mode

### NAC settings (controlled by DIP switch)

Notation	Description
SF	Sense follow
CONT	Continuous
Temp/Cal	Temporal/California
AUX	Auxiliary

# Genesis circuit notification

Figure 26: Genesis circuit notification



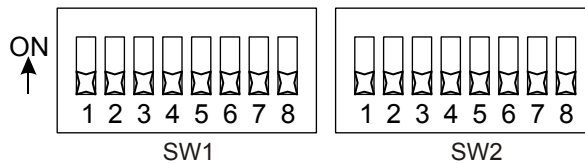
- |               |                                     |
|---------------|-------------------------------------|
| (1) Sense 1   | (6) NAC 2                           |
| (2) Sense 2   | (7) NAC 3                           |
| (3) Mode: COR | (8) NAC 4                           |
| (4) NACs: SF  | (9) To BPS, or EOL resistor         |
| (5) NAC 1     | (10) To next device or EOL resistor |

Note: The maximum number of BPSs that can be connected on a single NAC from sense circuit to sense circuit is limited by available current and wire run length.

## DIP switch settings for this application

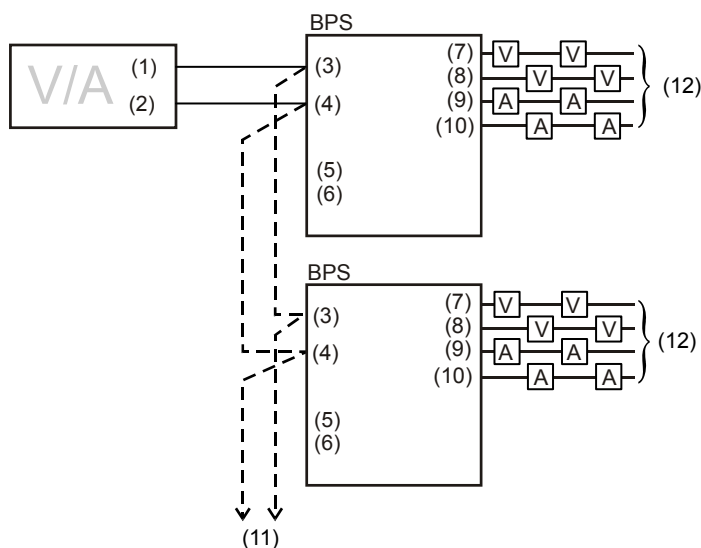
Each BPS DIP switch can be set this way for the application to work correctly. If other BPS options are required, refer to “Setting the DIP switches” for more information.

Figure 27: Switch settings



# Conventional visible and audible circuit notification

Figure 28: Conventional visible and audible circuit notification



**Legend**

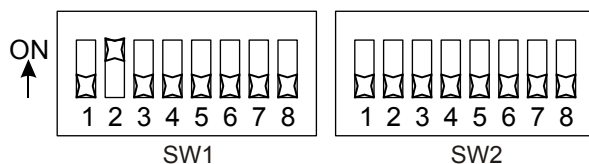
- |                         |                                     |
|-------------------------|-------------------------------------|
| (1) NAC visible circuit | (7) NAC 1                           |
| (2) NAC audible circuit | (8) NAC 2                           |
| (3) Sense 1             | (9) NAC 3                           |
| (4) Sense 2             | (10) NAC 4                          |
| (5) Mode: COR           | (11) To BPS, or EOL resistor        |
| (6) NACs: SF            | (12) To next device or EOL resistor |

Note: The maximum number of BPSs that can be connected on a single NAC from sense circuit to sense circuit is limited by available current and wire run length.

## DIP switch settings for this application

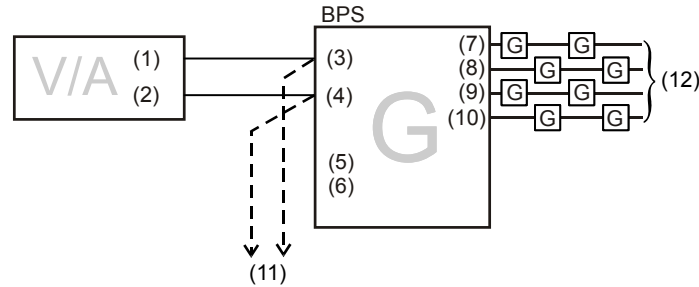
Each BPS DIP switch can be set this way for the application to work correctly. If other BPS options are required, refer to “Setting the DIP switches” for more information.

Figure 29: Switch settings



# Conventional visible and audible circuit to Genesis notification

Figure 30: Conventional visible and audible circuit to Genesis notification



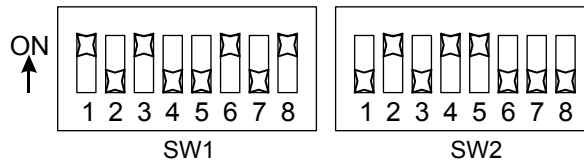
- |                         |                                     |
|-------------------------|-------------------------------------|
| (1) NAC visible circuit | (7) NAC 1                           |
| (2) NAC audible circuit | (8) NAC 2                           |
| (3) Sense 1             | (9) NAC 3                           |
| (4) Sense 2             | (10) NAC 4                          |
| (5) Mode: GM            | (11) To next device or EOL resistor |
| (6) NACs CONT           | (12) To BPS, or EOL resistor        |

Note: The maximum number of BPSs that can be connected on a single NAC from sense circuit to sense circuit is limited by available current and wire run length.

## DIP switch settings for this application

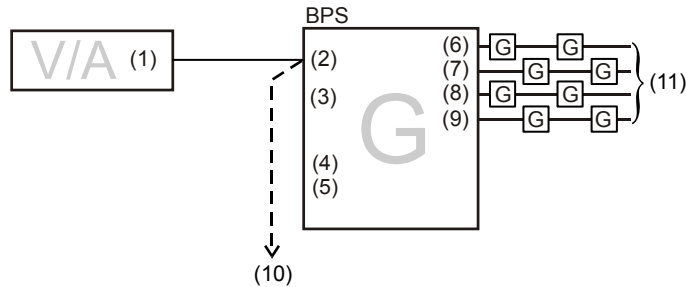
BPS DIP switches can be set this way for the application to work correctly. Refer to “Setting the DIP switches” for other options.

Figure 31: Switch settings



# Conventional audible or visible circuit to Genesis notification

Figure 32: Conventional audible or visible circuit to Genesis notification



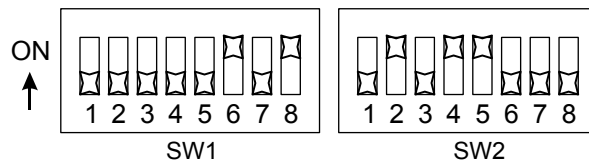
- (1) Visible or audible circuit
- (2) Sense 1
- (3) Sense 2
- (4) Mode: COR
- (5) NACs: CONT
- (6) NAC 1
- (7) NAC 2
- (8) NAC 3
- (9) NAC 4
- (10) To BPS, or EOL resistor
- (11) To next device or EOL resistor

Note: The maximum number of BPSs that can be connected on a single NAC from sense circuit to sense circuit is limited by available current and wire run length.

## DIP switch settings for this application

BPS DIP switches can be set this way for the application to work correctly. Refer to “Setting the DIP switches” for other options.

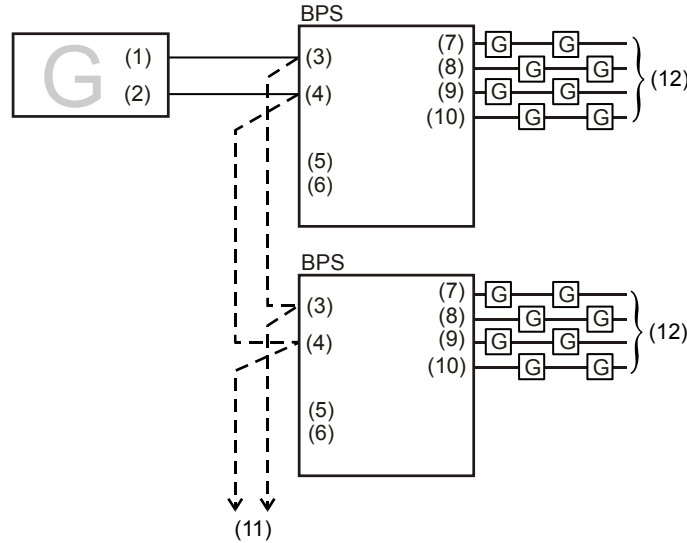
Figure 33: Switch settings





# Genesis visible circuit and conventional audible circuit to Genesis notification

Figure 34: Genesis visible circuit and conventional audible circuit to Genesis notification



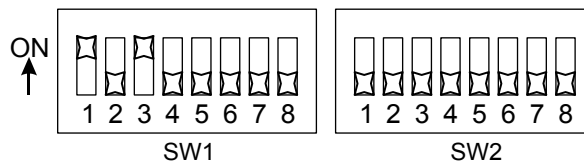
- |                         |                                     |
|-------------------------|-------------------------------------|
| (1) NAC visible circuit | (7) NAC1                            |
| (2) NAC audible circuit | (8) NAC 2                           |
| (3) Sense 1             | (9) NAC 3                           |
| (4) Sense 2             | (10) NAC 4                          |
| (5) Mode: GM            | (11) To next BPS, or EOL resistor   |
| (6) NACs: SF            | (12) To next device or EOL resistor |

Note: The maximum number of BPSs that can be connected on a single NAC from sense circuit to sense circuit is limited by available current and wire run length.

## DIP switch settings for this application

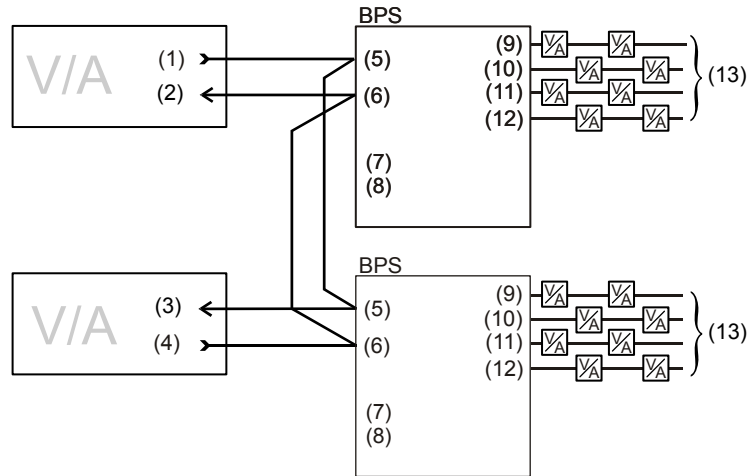
BPS DIP switches can be set this way for the application to work correctly. Refer to “Setting the DIP switches” for other options.

Figure 35: Switch settings



# Conventional split mode circuit with fault tolerance notification

Figure 36: Conventional split mode circuit with fault tolerance notification



## Legend

- |  |                                     |
|--|-------------------------------------|
| (1) Primary visible or audible circuit,  | (8) NACs: SF                        |
| (2) To next BPS, or EOL resistor         | (9) NAC1                            |
| (3) To next BPS, or EOL resistor         | (10) NAC 2                          |
| (4) Secondary visible or audible circuit | (11) NAC 3                          |
| (5) Sense 1                              | (12) NAC 4                          |
| (6) Sense 2                              | (13) To next device or EOL resistor |
| (7) Mode: COR                            |                                     |

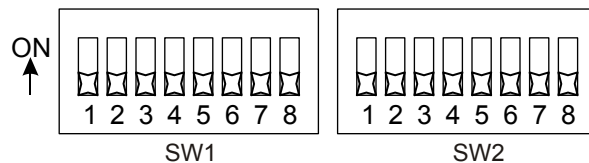
## Notes

- The maximum number of BPSs that can be connected on a single NAC from sense circuit to sense circuit is limited by available current and wire run length.
- Fault tolerance can be increased by using Class A wiring.

## DIP switch settings for this application

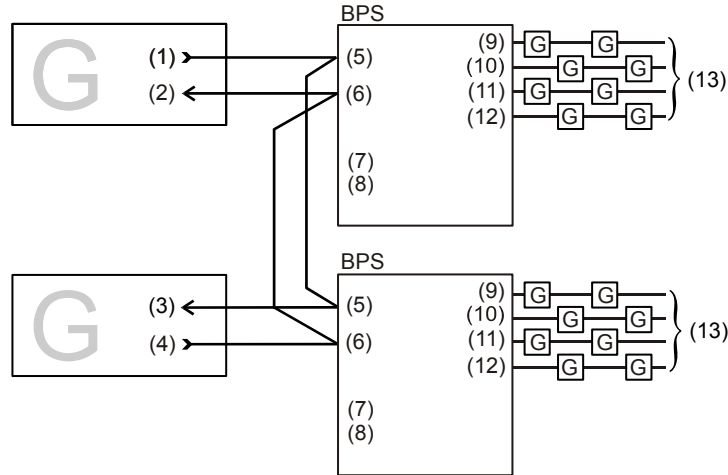
BPS DIP switches can be set this way for the application to work correctly. Refer to “Setting the DIP switches” for other options.

Figure 37: Switch settings



# Genesis split mode circuit with fault tolerance notification

Figure 38: Genesis split mode circuit with fault tolerance notification



**Legend**

- |  |                                     |
|--|-------------------------------------|
| (1) Primary visible or audible circuit   | (8) NACs: SF                        |
| (2) To next BPS, or EOL resistor         | (9) NAC1                            |
| (3) To next BPS, or EOL resistor         | (10) NAC 2                          |
| (4) Secondary visible or audible circuit | (11) NAC 3                          |
| (5) Sense 1                              | (12) NAC 4                          |
| (6) Sense 2                              | (13) To next device or EOL resistor |
| (7) Mode: COR                            |                                     |

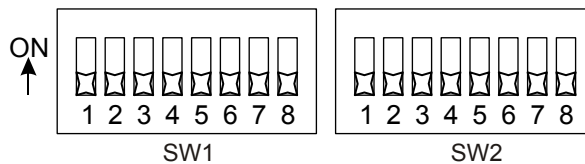
**Notes**

- The maximum number of BPSs that can be connected on a single NAC from sense circuit to sense circuit is limited by available current and wire run length.
- Fault tolerance can be increased by using Class A wiring.

**DIP switch settings for this application**

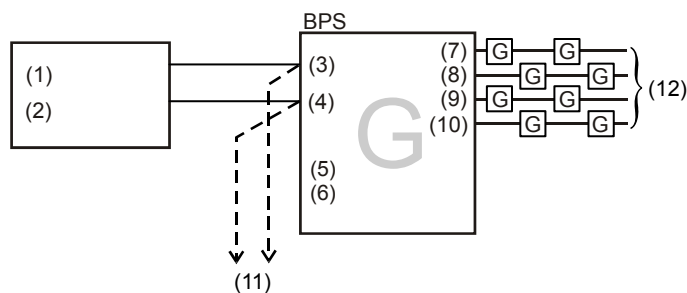
BPS DIP switches can be set this way for the application to work correctly. Refer to “Setting the DIP switches” for other options.

Figure 39: Switch settings



# CDR-3 Coder to Genesis notification

Figure 40: CDR-3 Coder to Genesis notification



### Legend

- |                               |                                     |
|-------------------------------|-------------------------------------|
| (1) NAC visible circuit       | (7) NAC1                            |
| (2) NAC/CDR-3 audible circuit | (8) NAC 2                           |
| (3) Sense 1                   | (9) NAC 3                           |
| (4) Sense 2                   | (10) NAC 4                          |
| (5) Mode: GM                  | (11) To next BPS, or EOL resistor   |
| (6) NACs: CONT                | (12) To next device or EOL resistor |

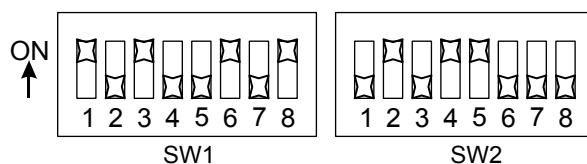
### Notes

- In order for the audible appliances to follow the CDR-3 coder signals, you must modify each Genesis audible-capable appliance that is connected to a coded NAC. For Genesis G1 Series appliances cut open Circle. For Genesis WG4 horns & horn/strobes, cut jumper JP4. For Genesis GC(F)-HDVM(H) appliances, cut JP1.
- The maximum number of BPSs that can be connected on a single NAC from sense circuit to sense circuit is limited by available current and wire run length.

## DIP switch settings for this application

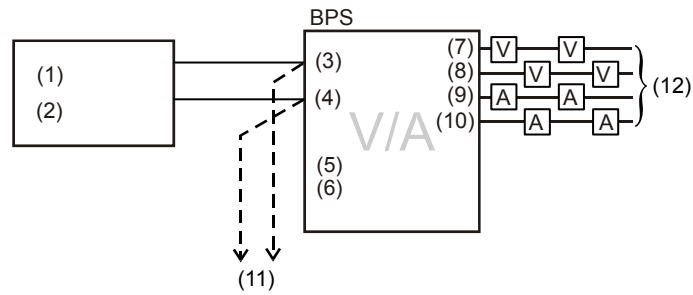
BPS DIP switches can be set this way for the application to work correctly. Refer to “Setting the DIP switches” for other options.

Figure 41: Switch settings



# CDR-3 Coder to conventional notification

Figure 42: CDR-3 Coder to conventional notification



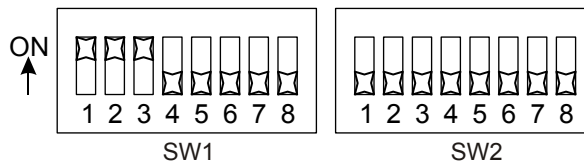
- |                               |                                     |
|-------------------------------|-------------------------------------|
| (1) NAC visible circuit       | (7) NAC1                            |
| (2) NAC/CDR-3 audible circuit | (8) NAC 2                           |
| (3) Sense 1                   | (9) NAC 3                           |
| (4) Sense 2                   | (10) NAC 4                          |
| (5) Mode: ND                  | (11) To next BPS, or EOL resistor   |
| (6) NACs: SF                  | (12) To next device or EOL resistor |

Note: The maximum number of BPSs that can be connected on a single NAC from sense circuit to sense circuit is limited by available current and wire run length.

## DIP switch settings for this application

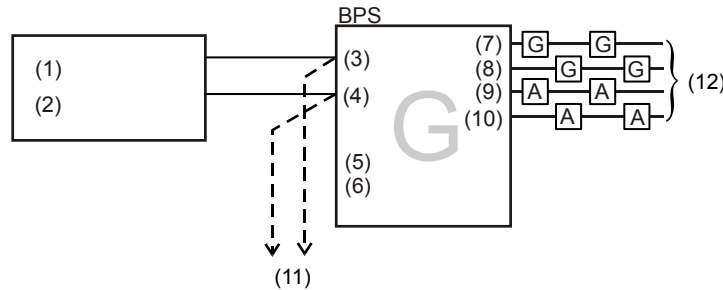
BPS DIP switches can be set this way for the application to work correctly. Refer to “Setting the DIP switches” for other options.

Figure 43: Switch settings



# CDR-3 Coder to Genesis visibles and conventional audibles

Figure 44: CDR-3 Coder to Genesis visibles and conventional audibles



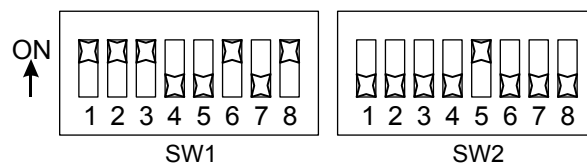
- |                               |                                     |
|-------------------------------|-------------------------------------|
| (1) NAC visible circuit       | (7) NAC1                            |
| (2) NAC/CDR-3 audible circuit | (8) NAC 2                           |
| (3) Sense 1                   | (9) NAC 3                           |
| (4) Sense 2                   | (10) NAC 4                          |
| (5) Mode: ND                  | (11) To next BPS or EOL resistor    |
| (6) NACs: CONT, SF            | (12) To next device or EOL resistor |

## DIP switch settings for this application

BPS DIP switches can be set this way for the application to work correctly. Refer to “Setting the DIP switches” for other options.

NAC1 and NAC2 are configured for continuous mode. NAC3 and NAC4 are configured for sense follow mode. SW2-5 is set to generate a sync pulse on the continuous circuits.

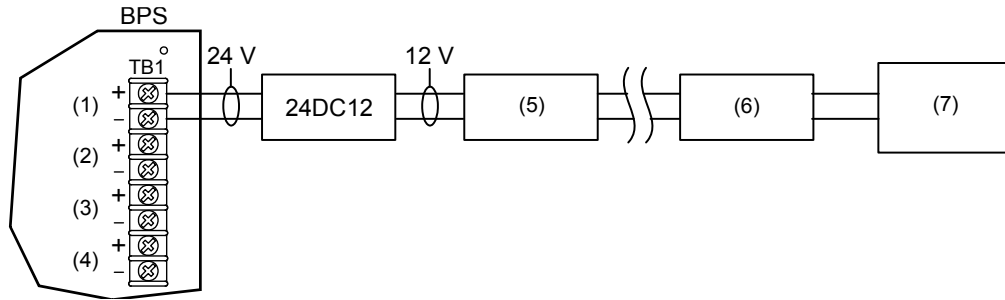
Figure 45: Switch settings



## Security

In this application, 24 VDC is converted to 12 VDC for use with security devices.

**Figure 46: Security 24 VDC to 12 VDC**



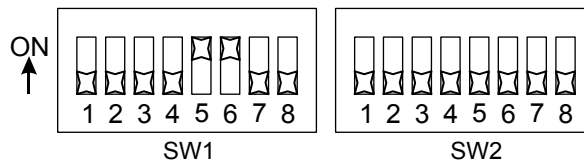
- |               |                           |
|---------------|---------------------------|
| (1) NAC1/AUX1 | (5) Security device       |
| (2) NAC2/AUX2 | (6) Security device       |
| (3) NAC3/AUX3 | (7) EOL monitoring device |
| (4) NAC4/AUX4 |                           |

Note: NAC1 must be set for auxiliary. Any of the BPS NACs can be used in auxiliary mode for 12 V security applications.

### DIP switch settings for this application

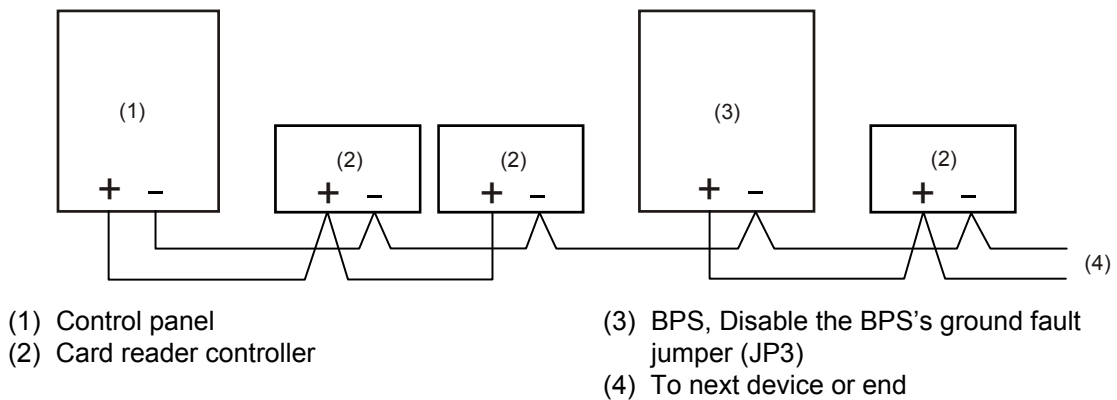
BPS DIP switches can be set this way for the application to work correctly. Refer to “Setting the DIP switches” for other options.

**Figure 47: Switch settings**



## Access control power supply

**Figure 48: Access control power supply**



- |                            |  |
|----------------------------|--|
| (1) Control panel          | (3) BPS, Disable the BPS's ground fault jumper (JP3) |
| (2) Card reader controller | (4) To next device or end                            |

