



GETZ MANUFACTURING

PART # 59339

CYLINDER DRYER



540 S. Main St., North Pekin, IL 61554

PH. (800) 553-3503 • Fax (800) 473-6088

Website: www.getzmfg.com

"YOUR FULL LINE EQUIPMENT MANUFACTURER"

LIMITED WARRANTY

Getz Manufacturing warrants its products, and component parts of any product manufactured by Getz Manufacturing, to be free from defects in material and workmanship for a period of twelve (12) months from the date of purchase. During the warranty period, any such defects will be repaired or the defective parts replaced **(at Getz Manufacturing's option)**. The warranty does not cover defects resulting from modification, alteration, misuse, exposure to corrosive conditions, extremely high temperatures, improper installation or maintenance. Warranties on component items not manufactured by Getz Manufacturing are provided by others whose warranty, evaluation and judgment will be final.

All implied warranties, including, but not limited to, warranties of fitness for purpose and merchantability, are limited to the time periods as stated above. In no event shall Getz Manufacturing be liable to incidental or consequential damages. Some states do not allow limitations on how long an implied warranty lasts or the exclusions or limitation of incidental or consequential damages, so that the above limitations or exclusions may not apply to you. Getz Manufacturing neither assumes nor authorizes any representative or other person to assume for it any obligation or liability other than as expressly set forth herein.

Mobile Service Vehicles:

The warranty does not cover:

- Defects in the chassis and or power unit
- Defects in separately manufactured products not produced by Getz Manufacturing
- Deterioration due to normal wear, tear, and exposure
- Repairs made necessary by negligent use, misuse, abuse, loading the service vehicle beyond its gross vehicle weight limitations, accident, acts of God, or other contingencies beyond the control of Getz Manufacturing.
- Repairs deemed necessary by reason of the failure to follow ordinary maintenance procedures.
- Repairs, deemed necessary by reason of alterations done without Getz Manufacturing's written approval.

Warranty Service:

- All warranty repairs will be performed by Getz Manufacturing in North Pekin, IL, unless otherwise authorized by Getz Manufacturing.

Freight:

- Getz Manufacturing will not be liable for shipping or transportation charges to or from customer's location.

This warranty gives you specific legal rights, and you may also have other rights which vary from state to state. To obtain performance to the obligation of the warranty, write to Amerex Corp dba Getz Manufacturing, 540 S Main Street, North Pekin IL 61554, USA for instructions.

INTRODUCTION

The P/N 59339 cylinder dryer is an inexpensive, lightweight alternative to rack style dryers. It is portable and plugs into a normal 120VAC receptacle. Up to four cylinders can be dried at one time.

SYSTEM REQUIREMENTS

120VAC
15 Amps
60 Hertz

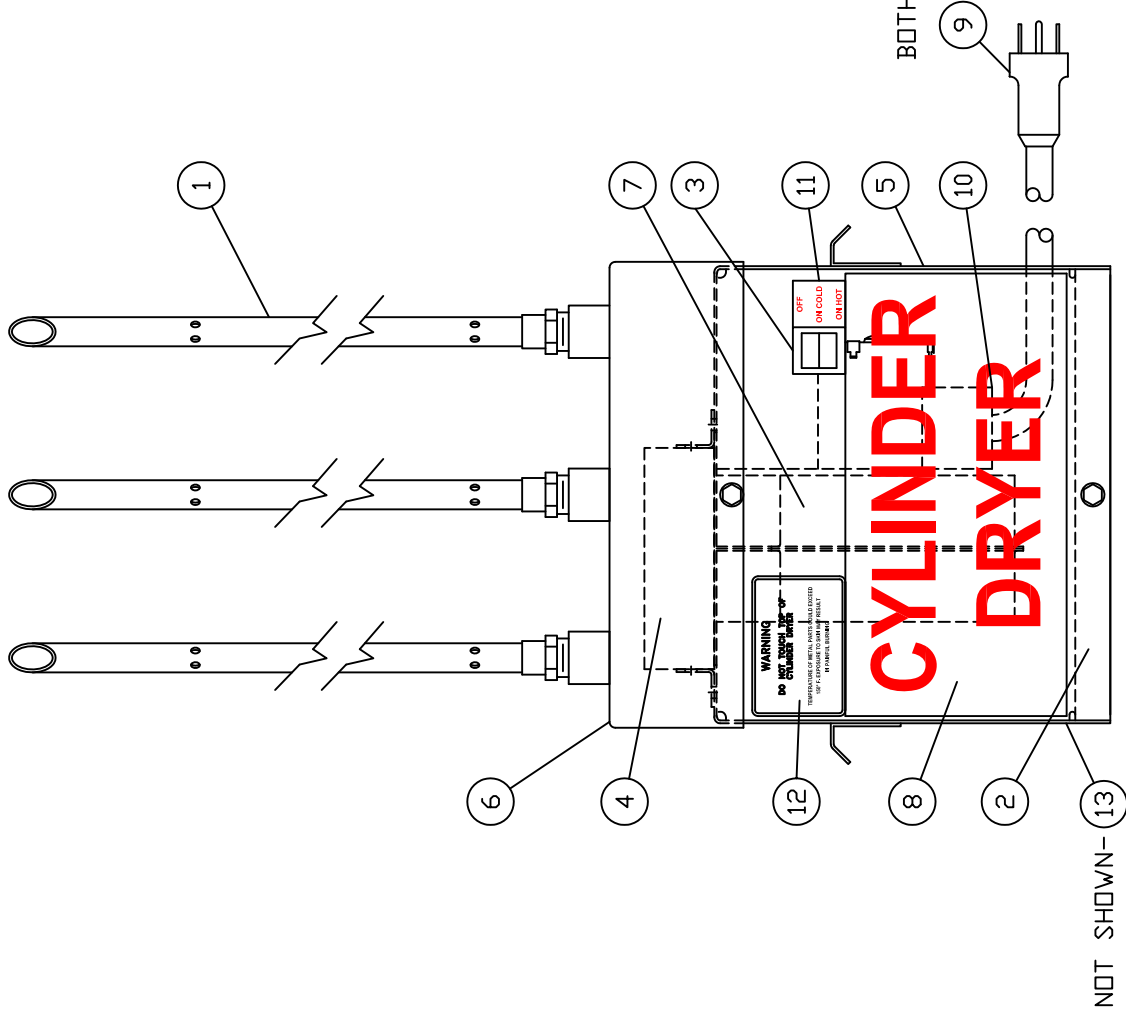
TABLE OF CONTENTS

1. Introduction / System Requirements
2. Operating instructions
3. Parts list / Pictorial drawing
4. Troubleshooting

OPERATING INSTRUCTIONS

1. Empty as much water as possible from the extinguisher or extinguishers that will need to be dried. If available, blow any excess water out of the inside of the extinguisher with either an air compressor or compressed air and a blowgun, this will reduce drying time.
2. Place the cylinder dryer switch #3 in the (on hot) position, this will start the blower and activate the heating element at the same time. Warm air will start to flow out of the dryer tubes (Item 1) or optional large tube (Item 15).
3. Place the extinguisher or extinguishers to be dried on the copper tubes (Item 1) or large dryer tube (Item 15). Drying time will vary with the size and wall thickness of the extinguisher being dried.
EXTINGUISHERS WILL BE HOT! GLOVES SHOULD BE WORN WHEN REMOVING EXTINGUISHERS FROM DRYER.
4. After removing any remaining extinguishers for the day, place the (Item 3) switch to the (on cold) position. This will allow the blower to cool down the heating element, prolonging the life of the element. Run the blower in the (on cold) position for five minutes before placing the (Item 3) switch in the off position.

ITEM	PART#	DESCRIPTION	UM	QPA
1	59401	TUBE AIR 1/2 DELTA DRYER	EA	5.0000
2	53381	BOTTOM DRYER DELTA	EA	1.0000
3	53901	SWITCH ROCKER 15AMP	EA	1.0000
4	53768	ELEMENT HEATING DELTA NEW	EA	1.0000
5	53350	BASE DRYER DELTA	EA	1.0000
6	53351	TOP DRYER DELTA	EA	1.0000
7	53349	BLOWER DAYTON DELTA	EA	1.0000
8	53552	LABEL CYLINDER DRYER DELTA	EA	1.0000
9	53391	CORD DRYER DELTA	EA	1.0000
10	51228	CONN 2 SCREW	EA	1.0000
11	53423	LABEL ON OFF DRYER DELTA	EA	1.0000
12	53497	LABEL CAUTION DELTA DRYER	EA	1.0000
13	51292	DECAL SERIAL NUMBER	EA	1.0000
14	53948	LABEL WARNING DELTA DRYER	EA	2.0000

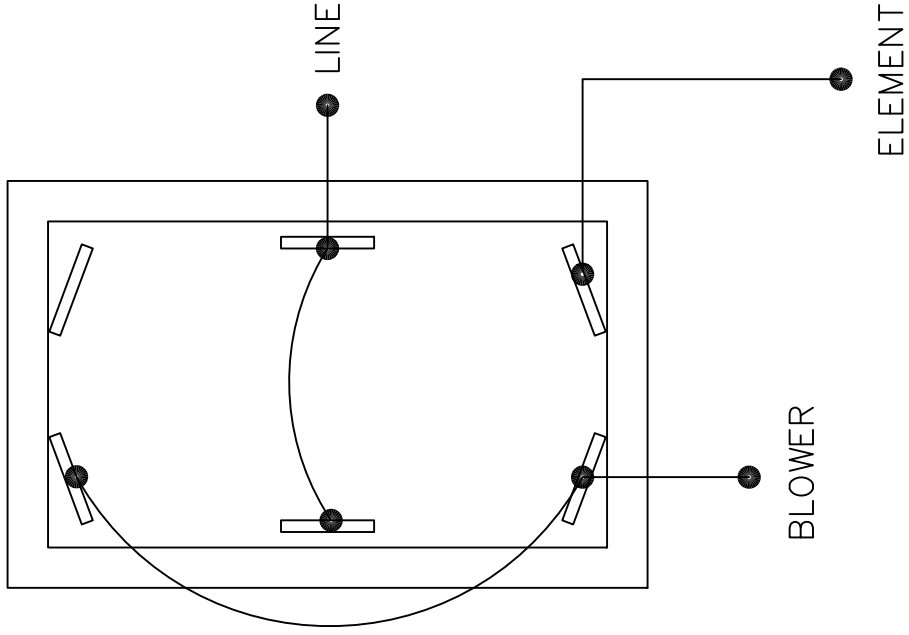


G	ADDED ITEM #14	C	G	3/26	07	THIS DRAWING IS THE EXCLUSIVE AND CONFIDENTIAL PROPERTY OF GETZ MFG. IT SHALL NOT BE DUPLICATED, USED OR DISCLOSED TO OTHERS WITHOUT THE EXPRESS WRITTEN CONSENT OF GETZ MANUFACTURING.	
F	REMOVED ITEMS 9, 15, 16, CHANGED #3	C	G	6/15	06	MATERIAL	FINISH
REV	DRAWING CHANGE	BY	EON NO.	DATE	DWN BY	CK'D	D.C.
	TOLERANCES UNLESS OTHERWISE SPECIFIED				R.D.M.		
FRAC.	±.020	2 PL DEC ±.010	3 PL DEC ± .003	SCALE	1/4"=1"	DATE	8-15-01
		TITLE		DRYER DELTA		REV. G	
		SHEET NO.		1 OF 3		BIN NO.	
		DWG. NO.		59339			



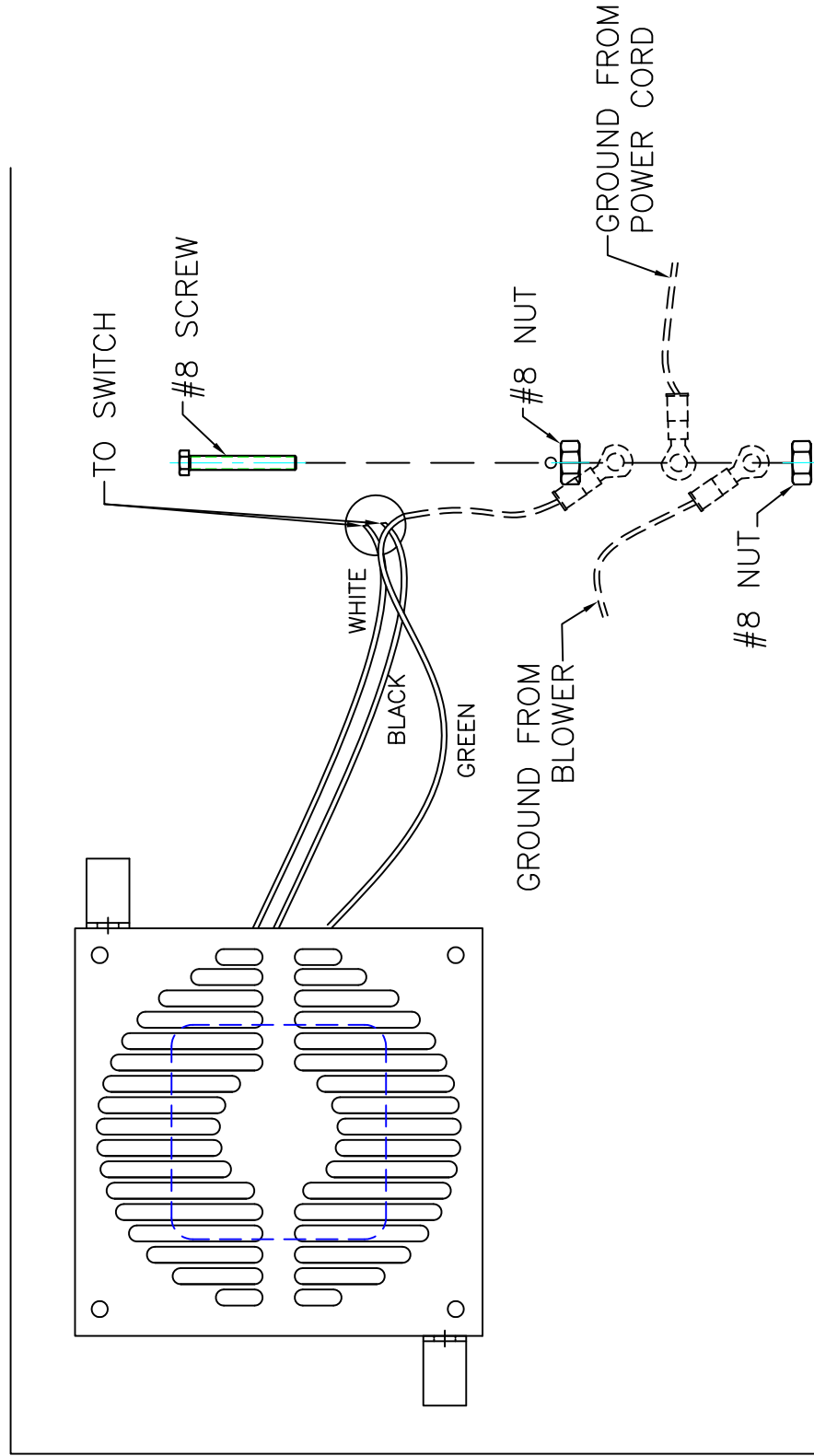
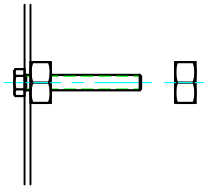
CAUTION
DO NOT OPEN THE DOOR
UNTIL THE CYLINDER IS
COMPLETELY COOL
53391 (SEE PARTS LIST FOR DETAILS)

WARNING
DO NOT OPEN THE DOOR
UNTIL THE CYLINDER IS
COMPLETELY COOL
53391 (SEE PARTS LIST FOR DETAILS)



THIS DRAWING IS THE EXCLUSIVE AND CONFIDENTIAL PROPERTY OF GETZ MFG. IT SHALL NOT BE DUPLICATED, USED OR DISCLOSED TO OTHERS WITHOUT THE EXPRESS WRITTEN CONSENT OF GETZ MANUFACTURING.

A	CHANGED SWITCH	C	G	6/15	06	DATE	FINISH	MATERIAL	GETZ MANUFACTURING N. PEKIN, IL	SHEET NO. 2 OF 3	BIN NO.
	REV	DRAWING CHANGE	BY	EON NO.	DATE						
TOLERANCES UNLESS OTHERWISE SPECIFIED								SCALE 2"=1"	TITLE DRYER DELTA	DWG. NO. 59339-2	REV. A
FRAC.	±.020	2 PL DEC	±.010	3 PL DEC	± .003	DATE	7-3-03				



THIS DRAWING IS THE EXCLUSIVE AND CONFIDENTIAL PROPERTY OF GETZ MFG. IT SHALL NOT BE DUPLICATED, USED OR DISCLOSED TO OTHERS WITHOUT THE EXPRESS WRITTEN CONSENT OF GETZ MANUFACTURING.

MATERIAL	FINISH	GETZ MANUFACTURING N. PEKIN, IL		SHEET NO.	BIN NO.
DWN BY CPG	CK'D D.C.	3-9-06		3 OF 3	
SCALE 1/2"=1"	DATE	DRYER DELTA		DWG. NO.	59339-3
TOLERANCES UNLESS OTHERWISE SPECIFIED		TITLE		REV.	*
FRAC. ±.020	2 PL DEC ±.010	3 PL DEC ±.003			

TROUBLESHOOTING

WARNING: A qualified electrician should only repair this equipment.

Problem	Solution
Blower motor not working.	<ol style="list-style-type: none">1. Check for tripped breaker2. Defective switch #3 (replace)3. Defective blower #7 (replace) <hr/>
Blows only cold air	<ol style="list-style-type: none">1. Check switch position2. Broken heating element #4 (replace)3. Lose connection (tighten) <hr/>