

9V Battery Operated Dual Sensor Ion/Photo Smoke Alarm

Part Number Pi9010CA-N Model Pi9010CA
10-Year Limited Warranty

Dual Sensor Technology

Hush® Button

Test Button

9V Battery Operated



Description

The Kidde Pi9010CA is a 9V battery powered smoke alarm. This smoke alarm functions as a single unit smoke alarm and features Hush®, allowing you to quickly silence nuisance alarms. The Pi9010CA is easy to install, no wiring is required.

This smoke alarm combines both photoelectric and ionization sensors to offer the best protection against both fast flaming and slow smoldering fires. Leading authorities recommend that both ionization and photoelectric smoke alarms be installed to help ensure maximum detection of the various types of fires that can occur within the home. Ionization sensing alarms may detect invisible fire particles (associated with fast flaming fires) sooner than photoelectric alarms. Photoelectric sensing alarms may detect visible fire particles (associated with slow smoldering fires) sooner than ionization alarms.

Features and Benefits

- **Dual Sensor Technology**
 - **Ionization Sensor** – may detect invisible fire particles (associated with flaming fires) sooner than photoelectric alarms.
 - **Photoelectric Sensor** – may detect visible particles (associated with smoldering fires) sooner than ionization alarms.
- **9V Battery Operated** – No wiring required. Provides continuous protection even during power outages.
- **Hush® Button** – Temporarily silences nuisance alarms for approximately 10 minutes (smoke must be present before Hush® is activated).
- **Test Button** – Simultaneously tests the unit's electronics and verifies alarm operation.
- **Tamper Resistant** – Deters from tampering or theft.

Architectural and Engineering Specifications

The smoke alarm shall be Kidde model Pi9010CA or approved equal. It shall be powered by a 9V battery. The temperature operation range shall be between 4.4°C and 37.8°C (40° and 100°F) and the humidity operating range shall be 10%–95% relative humidity.

The unit shall incorporate both an ionization smoke sensor and a photoelectric smoke sensor with a nominal alarm sensitivity of 0.72–4.0%/ft.

The alarm shall include a test button that will electronically simulate the presence of smoke and cause the unit to go into alarm. This sequence tests the unit's electronics, battery and horn to ensure proper operation.

The unit shall include a piezoelectric horn that is rated at 85 decibels at 10 feet. The unit shall include Hush® feature that silences the unit for approximately 10 minutes if a nuisance condition occurs. The unit shall also include a low battery warning utilizing a brief alarm chirp approximately every 45 seconds for a minimum of seven (7) days.

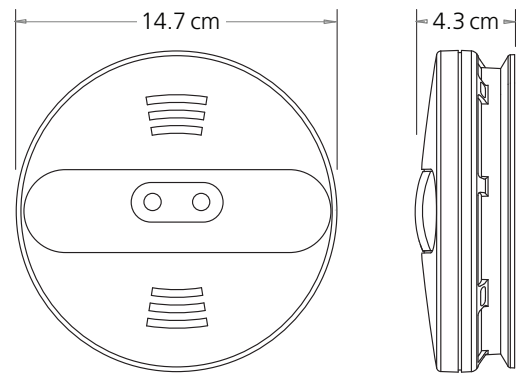
The unit shall incorporate a red LED indicator. The red LED (located under the Test button) has four modes of operation:

- **Standby Condition:** The red LED will flash every 45 seconds to indicate that the smoke alarm is operating properly.
- **Alarm Condition:** When the alarm senses products of combustion and goes into alarm, the red LED will flash one flash per second. The flashing LED and temporal alarm will continue until the air is cleared.
- **Hush® Mode:** The red LED will flash every 10 seconds, indicating the smoke alarm is in the Hush® mode.
- **Low Battery Condition:** The red LED flash will be accompanied by an audible chirp. Replace the battery when this condition occurs.

The unit shall at a minimum meet the requirements of CAN/ULC-S531. It also shall include a 10-year manufacturer's limited warranty.

Technical Specifications

Power Source:	9V battery
Sensors:	ionization and Photoelectric
Audio Alarm:	85 dB at 10 ft
Temperature Range:	4.4°C (40°F) to 37.8°C (100°F)
Humidity Range:	10%-95% relative humidity, non-condensing
Unit Size:	14.7 cm in diameter x 4.3 cm depth
Unit Weight:	0.45 kg
Interconnects:	No
Warranty:	10-year limited



Ordering Information

UPC: 0-47871-00131-6

Part Number	12 of 5	Pack Quantity	Case Dimensions (w x d x h centimeters)	Case Weight	Case/Skid
Pi9010CA-N	100-47871-00131-3	8 units	20 cm x 44 cm x 28 cm	2.96 kg	36



Kidde Canada Inc.
P.O. Box 40, Apsley, ON K0L 1A0
1-800-880-6788
www.kiddecanada.com

Distributed by: